



DIEMwerke

SPARE PARTS
CONSTRUCTION MACHINES

2023

Tipping drum mixers

D 100C	_____	Page	1
D 120C	_____	Page	3
D 150C	_____	Page	5

Pan mixers

DZ 60VS	_____	Page	9
DZ 100VS	_____	Page	11
DZ 120V	_____	Page	13
DZ 120ECO	_____	Page	16
DZ 180V	_____	Page	18
DZ 180VA	_____	Page	21
DZ 300V	_____	Page	24
DZ 500V	_____	Page	27
DZ 750V	_____	Page	30

Winches

STB 140kg to 500kg	_____	Page	33
--------------------	-------	------	----

B - Scrapers

B - Scraper	_____	Page	34
-------------	-------	------	----

Replacement gearboxes

Gearboxes overview	_____	Page	36
SG27S	_____	Page	37
SG40-VS60	_____	Page	38
SG40C-VS100	_____	Page	39
SG61/2	_____	Page	40
SG55-V	_____	Page	41
SG44-V	_____	Page	42
SG44-V	_____	Page	43
SG40A	_____	Page	44
SG52	_____	Page	45
SG160-2	_____	Page	46

Replacement motors

Motors overview	_____	Page	47
-----------------	-------	------	----

D 100C
Tipping drum mixer

Assembly

Art.Nr:	Description 1	Description 2	Price
01183	SOLID TIRE WHEEL DA225	BORE 25,2, NAVE LENGTH 50 mm	86,70
01184	QUICK FASTENER FOR AXLE 25	GALVANISED	13,60
01186	RUBBER GRIP 30mm	BLACK Z-321/A	10,80
01262	ROCKER ARM SPRING	FOR C-SERIES	17,40
01290	MOULDED RUBBER TUBE ENDS	100/50/5 BLACK	19,70
07893	ROCKER ARM	D100 C	97,50
13975	BOLD COMPL. FOR ROCKER ARM	DZ60C D100C D120C	17,40
02967	HEXAGONAL BOLD M8x18	DIN 933 GALVANISED 8.8	3,20
08971	BEARING BUSHING PAS-LX	D100C,D120C	53,50
12401	DRUM COMPL.	D100C	555,00
06535	NIPPLE 6mm	DIN 71412 GALVANISED	3,40
07500	PROTECTIVE CAP RED FOR NIPPLE		1,70

Electrics

Art.Nr:	Description 1	Description 2	Price
08237	SWITCH CA10 A201-600E 230V		47,90
12388	SWITCH HOUSING WITH EARTHED	SOCKET NR. 22-S	84,90
14274	SWITCH COMPL. 203.008 230V	D100/120 C CL	146,50
02864	SWITCH CA10 A401-600E	400V	63,00
13372	SWITCH HOUSING NR. 115S	REPLACED BY ART. 14833+14702	93,30
14833	SWITCH NR. 203.009 400V	D100/120 C CL, MIT PHASENWENDER	210,70
14702	SET FIXING FOR SWITCH COMPL.	D100/120 DZ60 C	51,00
16559	PVC-COVERING FOR SWITCH TRIP.	NR: 300.222	15,40

Gearbox

Art.Nr:	Description 1	Description 2	Price
02805	GEARBOX SG26	REPLACED BY SG27S + ART. 13382	
09622	GEARBOX SG27N	REPLACED BY SG27S + ART. 13382	
11825	GEARBOX SG27S COMPL.		754,80

SG26 until machine no.: 55.000
 SG27N from machine no.: 55.001 to machine no.: 57.022
 SG27S from machine no.: 57.023

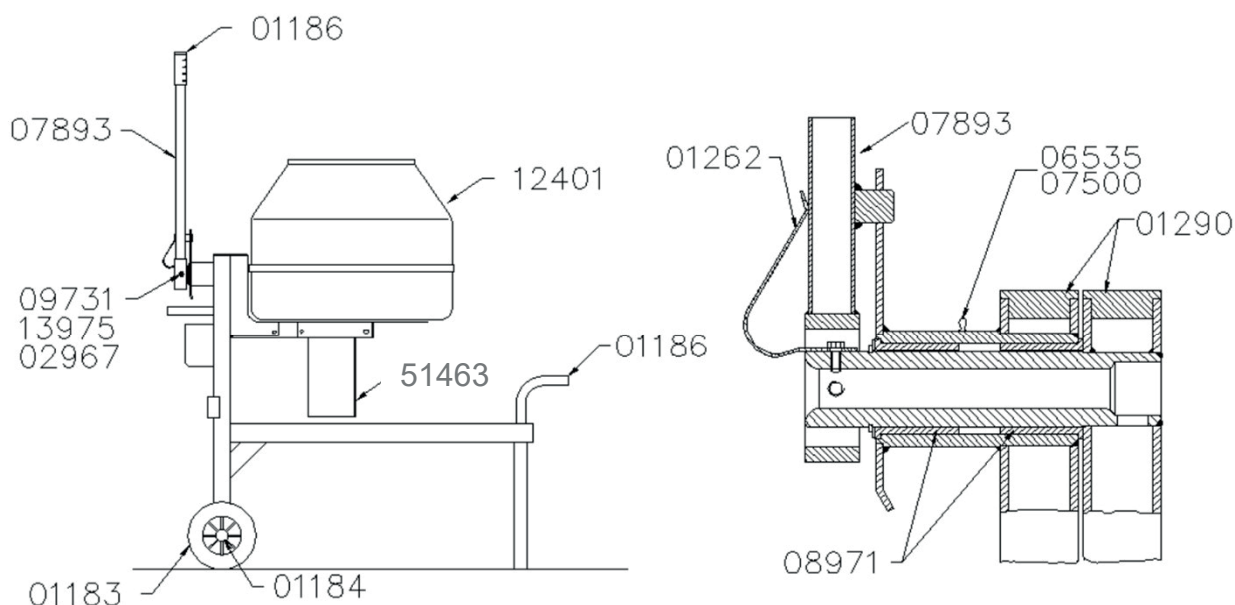
D 100C
Tipping drum mixer

Motor to SG27

Art.Nr:	Description 1	Description 2	Price
02481	MOTOR FLANGE GASKET	D 160 x D 111 x 0,75 HC=130	17,40
08217	MOTOR PINION SG27	T=27, M=1	51,00
08239	SQUARE KEY 6/5X12 DIN 6885A	DOUBLE SIDED R3, STEEL CK45K	9,20
08631	DRIVE SHAFT SPACER	SG 27	13,60
09594	TERMINAL BOARD	FOR ABM ENGINE SERIES 80	24,10
09704	MOTOR HOOD ABM BG 80		43,60
09705	FAN BLADES ABM BG 80		43,60
09706	TERMINAL BOX LID ABM BG 80		35,00
02902	CAPACITOR 16 MF 450V	FOR MOTOR L07	74,10
12208	MOTOR 0,55 kW 1380 REV/MIN	BG 80 400V 50HZ	452,90
12212	MOTOR 0,55KW 1380 REV/MIN	BG80 220V 50HZ 4,8 A IP55	615,90
13349	KRÄUTLER MOTOR HOOD BG 80	0.55/0.75/1.1 kW METAL	36,70
13369	KRÄUTLER FAN BLADES BG80	0,55/0,75/1,1 kW	32,50
13376	TERMINAL BOX COVER KRÄUTLER	BG 80 U. 100	36,70
26106	FAN BLADES IEC 080 ALU	KEB/LENZE	36,70
26107	MOTOR HOOD IEC 080 ALU	KEB/LENZE	88,20

Motor to SG26

Art.Nr:	Description 1	Description 2	Price
02474	MOTOR 0,37KW 400V	replaced by Art. 16658	574,30
02481	MOTOR FLANGE GASKET	D 160 x D 111 x 0,75 HC=130	17,40
02756	MOTOR PINION Z=24, M=1	SG 22,24,26,35,51	50,10
02867	FAN BLADES SIZE 1 FOR K05,	L05,L07,LRF05,KRF05,K075,KL075	32,50
02884	MOTOR LG104 WITH CAPACITOR	230V 0,75 KW 1415 REV/MIN	1055,50
02899	METAL MOTOR HOOD SIZE 1 FOR	KRF05,L07,K075,K05,L05,KL075	41,70
02902	CAPACITOR 16 MF 450V	FOR MOTOR L07	74,10
06951	TERMINAL BOARD THIEN	SIZE AS GIVEN	39,40
06952	TERMINAL BOX COVER THIEN	SIZE AS GIVEN	39,40



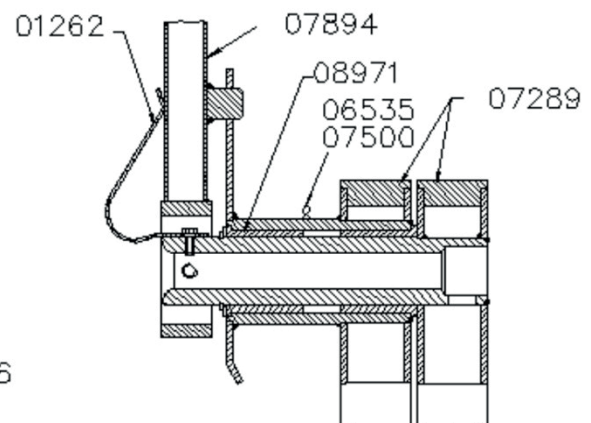
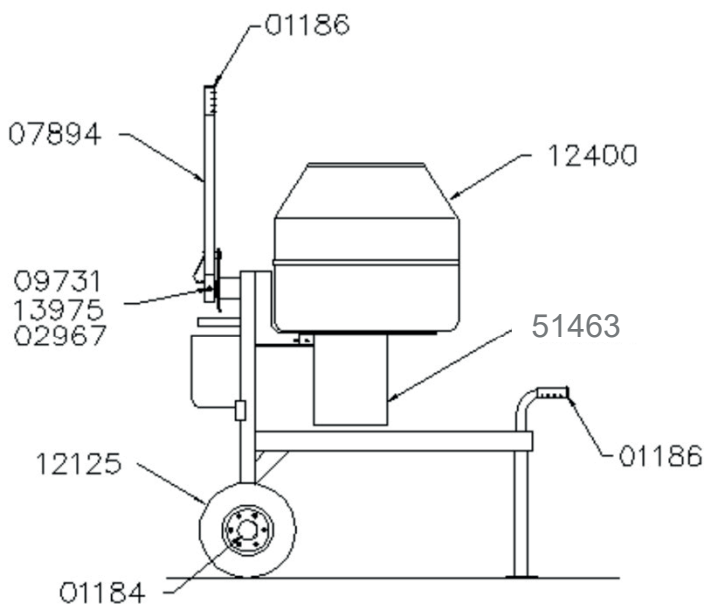
D 120C
Tipping drum mixer

Assembly

Art.Nr.	Description 1	Description 2	Price
01184	QUICK FASTENER FOR AXLE 25	GALVANISED	13,60
01186	RUBBER GRIP 30mm	BLACK Z-321/A	10,80
01262	ROCKER ARM SPRING	FOR C-SERIES	17,40
03692	COMPLETE MOTOR FUSING	D100C - D120C	206,10
07289	MOULDED RUBBER TUBE ENDS	150/50/5 BLACK	22,20
07894	TIPPING ARM	D120C	101,50
13975	BOLD COMPL. FOR ROCKER ARM	DZ60C D100C D120C	17,40
02967	HEXAGONAL BOLD M8x18	DIN 933 GALVANISED 8.8	3,20
08971	BEARING BUSHING PAS-LX	D100C,D120C	53,50
12400	COMPLETE DRUM DM 35mm	D120C/V	639,80
12125	SOLID RUBBER WHEEL DA0360X70	5G-S WHITE RIM	154,00
06535	NIPPLE 6mm	DIN 71412 GALVANISED	3,40
07500	PROTECTIVE CAP RED FOR NIPPLE		1,70

Electrics

Art.Nr.	Description 1	Description 2	Price
12388	SWITCH HOUSING WITH EARTHED	SOCKET NR. 22-S	84,90
08237	SWITCH CA10 A201-600E 230V		47,90
14274	SWITCH COMPL. 203.008 230V	D100/120 C CL	146,50
11142	CONDENSER 20 MF	ABM	91,40
14833	SWITCH NR. 203.009 400V	D100/120 C WITH PHASE REV.	210,70
13372	SWITCH HOUSING NR. 115S	REPLACED BY ART. 14833+14702	93,30
02864	SWITCH CA10 A401-600E	400V	63,00
10597	D120C COMBI BOX COMPL.		777,80
06550	SWITCHING BOX HOUSING COMBI	D120C	171,30
09790	SWITCH CA 10B A8D352-600 E	F 269 DOZER 230/400V	239,60
03577	CAPACITOR 80MF 450V DB	CABLE LENGTH 250mm COMBI	167,00
14702	SET FIXING FOR SWITCH COMPL.	D100/120 DZ60 C	51,00
16559	PVC-COVERING FOR SWITCH TRIP.	NR: 300.222	15,40



D 120C
Tipping drum mixer

Gearbox

Art.Nr:	Description 1	Description 2	Price
02805	GEARBOX SG26	REPLACED BY SG27S + ART. 13382	
09622	GEARBOX SG27N	REPLACED BY SG27S + ART. 13382	
11825	GEARBOX SG27S COMPL.		754,80

SG26 until machine no.: 55.000

SG27N from machine no.: 55.001 to machine no.: 57.022

SG27S from machine no.: 57.023

Motor to SG27

Art.Nr:	Description 1	Description 2	Price
02481	MOTOR FLANGE GASKET	D 160 x D 111 x 0,75 HC=130	17,40
08217	MOTOR PINION SG27	T=27, M=1	51,00
08239	SQUARE KEY 6/5X12 DIN 6885A	DOUBLE SIDED R3, STEEL CK45K	9,20
08631	DRIVE SHAFT SPACER	SG 27	13,60
09594	TERMINAL BOARD	FOR ABM ENGINE SERIES 80	24,10
09704	MOTOR HOOD ABM BG 80		43,60
09705	FAN BLADES ABM BG 80		43,60
09706	TERMINAL BOX LID ABM BG 80		35,00
11142	CONDENSER 20 MF	ABM	91,40
12208	MOTOR 0,55 kW 1380 REV/MIN	BG 80 400V 50HZ	452,90
12209	MOTOR 0,75 Kw 1370 REV/MIN	BG80 220V 50HZ	734,50
12211	MOTOR 1,1kW 1435 REV/MIN	BG80 230/400V, COMBI	853,90
13349	KRÄUTLER MOTOR HOOD BG 80	0.55/0.75/1.1 kW METAL	36,70
13369	KRÄUTLER FAN BLADES BG80	0,55/0,75/1,1 kW	32,50
13376	TERMINAL BOX COVER KRÄUTLER	BG 80 U. 100	36,70
26106	FAN BLADES IEC 080 ALU	KEB/LENZE	36,70
26107	MOTOR HOOD IEC 080 ALU	KEB/LENZE	88,20

Motor to SG26

Art.Nr:	Description 1	Description 2	Price
01127	CAPACITOR 50 MFCABLE 450mm	450 V FOR KLG104, EKF90	136,60
02430	MOTOR K 075 400V	0.55KW 400V-REPLACED BY 16658	648,20
02480	MOTOR KLG 104 0.75KW	230/400V - REPLACED BY 15896	964,30
02481	MOTOR FLANGE GASKET	D 160 x D 111 x 0,75 HC=130	17,40
02756	MOTOR PINION Z=24, M=1	SG 22,24,26,35,51	50,10
02867	FAN BLADES SIZE 1 FOR K05,	L05,L07,LRF05,KRF05,K075,KL075	32,50
02884	MOTOR LG104 WITH CAPACITOR	230V 0,75 KW 1415 REV/MIN	1055,50
02885	CAPACITOR 25MF	FOR MOTOR LG 104	101,50
02899	METAL MOTOR HOOD SIZE 1 FOR	KRF05,L07,K075,K05,L05,KL075	41,70
03301	METAL MOTOR HOOD SIZE 2	FOR KLG 104, LG 104	56,50
05357	FAN BLADES SIZE 2 FOR DRFV204E	KL075,LG104,ERV104EDRVF154E	28,90
06951	TERMINAL BOARD THIEN	SIZE AS GIVEN	39,40
06952	TERMINAL BOX COVER THIEN	SIZE AS GIVEN	39,40

D 150C

Tipping drum mixer

Assembly

Art.Nr:	Description 1	Description 2	Price
01184	QUICK FASTENER FOR AXLE 25	GALVANISED	13,60
01186	RUBBER GRIP 30mm	BLACK Z-321/A	10,80
12125	SOLID RUBBER WHEEL DA0360X70	5G-S WHITE RIM	154,00
12398	DRUM D150C	COMPLETE	783,70

Electrics

Art.Nr:	Description 1	Description 2	Price
08237	SWITCH CA10 A201-600E 230V		47,90
11522	SWITCH CA20C31275E	WITH LONG AXLE 265,00 MM 230V	91,40
03576	CAPACITOR 60 MF THREAD M8	CABLE LENGTH 250 MM 008550M	167,00
16654	UNIVERSAL SWITCH 203.675	D150C COMPLETE CABLED	711,00
03167	SWITCH CA10A202-600E 400V		52,00
11232	SWITCH CA20C31275E	WITH LONG AXLE 265,00 MM 400V	78,10
16660	LOCKING RING WITH THREAD M3	D150C	43,60
06676	SWITCH CA10A-7366-600E	230/400V	219,10
06677	SWITCH CA10A-7452-600 E	WITH LONG AXLE 265,00-230/400V	137,80
03577	CAPACITOR 80MF 450V DB	CABLE LENGTH 250mm COMBI	167,00
09760	SWITCH GRIP	SOG G221	13,60
06223	COMPENSATION LOCH WASHER	60x0,5 - 6305 - 6206	13,60
20184	S1 MASTER SWITCH 555.509	FOR SWITCH 203.675 D150C	388,90
20185	S2 ROCKER SWITCH 555.508	FOR SWITCH 203.675 D150C	79,30
20186	K1+K2 CONTACTOR Nr.305.230	FOR SWITCH 203.675 D150C	32,00
20187	S3+S4 MAGNET SWITCH N.555.510	FOR SWITCH 203.675 D150C	130,50
55287	SWITCH COMPLETE	60_012_028	711,00

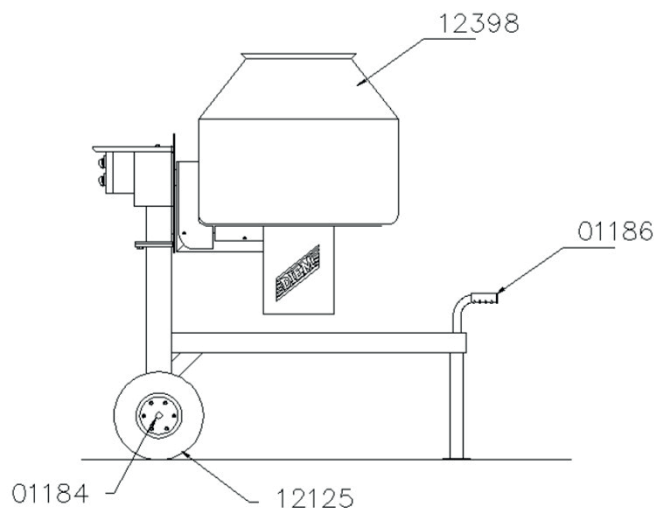
Gearbox

Art.Nr:	Description 1	Description 2	Price
02803	GEARBOX SG22	REPLACED BY SG27S + ART. 13382	
09622	GEARBOX SG27N	REPLACED BY SG27S + ART. 13382	
11825	GEARBOX SG27S COMPL.		754,80

SG22 until machine no.: 55.000

SG27N from machine no.: 55.001 to machine no.: 57.022

SG27S from machine no.: 57.023



D 150C
Tipping drum mixer

Motor to SG27

Art.Nr:	Description 1	Description 2	Price
02481	MOTOR FLANGE GASKET	D 160 x D 111 x 0,75 HC=130	17,40
08217	MOTOR PINION SG27	T=27, M=1	51,00
08239	SQUARE KEY 6/5X12 DIN 6885A	DOUBLE SIDED R3, STEEL CK45K	9,20
08631	DRIVE SHAFT SPACER	SG 27	13,60
09594	TERMINAL BOARD	FOR ABM ENGINE SERIES 80	24,10
09704	MOTOR HOOD ABM BG 80		43,60
09705	FAN BLADES ABM BG 80		43,60
09706	TERMINAL BOX LID ABM BG 80		35,00
11142	CONDENSER 20 MF	ABM	91,40
12208	MOTOR 0,55 kW 1380 REV/MIN	BG 80 400V 50HZ	452,90
12209	MOTOR 0,75 Kw 1370 REV/MIN	BG80 220V 50HZ	734,50
12211	MOTOR 1,1kW 1435 REV/MIN	BG80 230/400V, COMBI	853,90
13349	KRÄUTLER MOTOR HOOD BG 80	0.55/0.75/1.1 kW METAL	36,70
13369	KRÄUTLER FAN BLADES BG80	0,55/0,75/1,1 kW	32,50
13376	TERMINAL BOX COVER KRÄUTLER	BG 80 U. 100	36,70
26106	FAN BLADES IEC 080 ALU	KEB/LENZE	36,70
26107	MOTOR HOOD IEC 080 ALU	KEB/LENZE	88,20
55361	MOTOR 0,90kW 1340U/min 230V	BG 80 50/60Hz IP55	718,40

Motor to SG22

Art.Nr:	Description 1	Description 2	Price
01127	CAPACITOR 50 MFCABLE 450mm	450 V FOR KLG104, EKF90	136,60
02430	MOTOR K 075 400V	0.55KW 400V-REPLACED BY 16658	648,20
02480	MOTOR KLG 104 0.75KW	230/400V - REPLACED BY 15896	964,30
02481	MOTOR FLANGE GASKET	D 160 x D 111 x 0,75 HC=130	17,40
02501	BALL BEARING 6204 Z	DIN 625	19,70
02504	BALL BEARING 6204 Z	DIN 625	24,10
02656	GASKET FOR E-TERMINAL		13,60
02756	MOTOR PINION Z=24, M=1	SG 22,24,26,35,51	50,10
02884	MOTOR LG104 WITH CAPACITOR	230V 0,75 KW 1415 REV/MIN	1055,50
02885	CAPACITOR 25MF	FOR MOTOR LG 104	101,50
02899	METAL MOTOR HOOD SIZE 1 FOR	KRF05,L07,K075,K05,L05,KL075	41,70
03301	METAL MOTOR HOOD SIZE 2	FOR KLG 104, LG 104	56,50
03904	CAP NIPPLE PG 16 "HELIOR"	THREAD - DIA 22	13,60
05357	FAN BLADES SIZE 2 FOR DRFV204E	KLG104,LG104,ERV104EDRVF154E	28,90
06951	TERMINAL BOARD THIEN	SIZE AS GIVEN	39,40
06952	TERMINAL BOX COVER THIEN	SIZE AS GIVEN	39,40

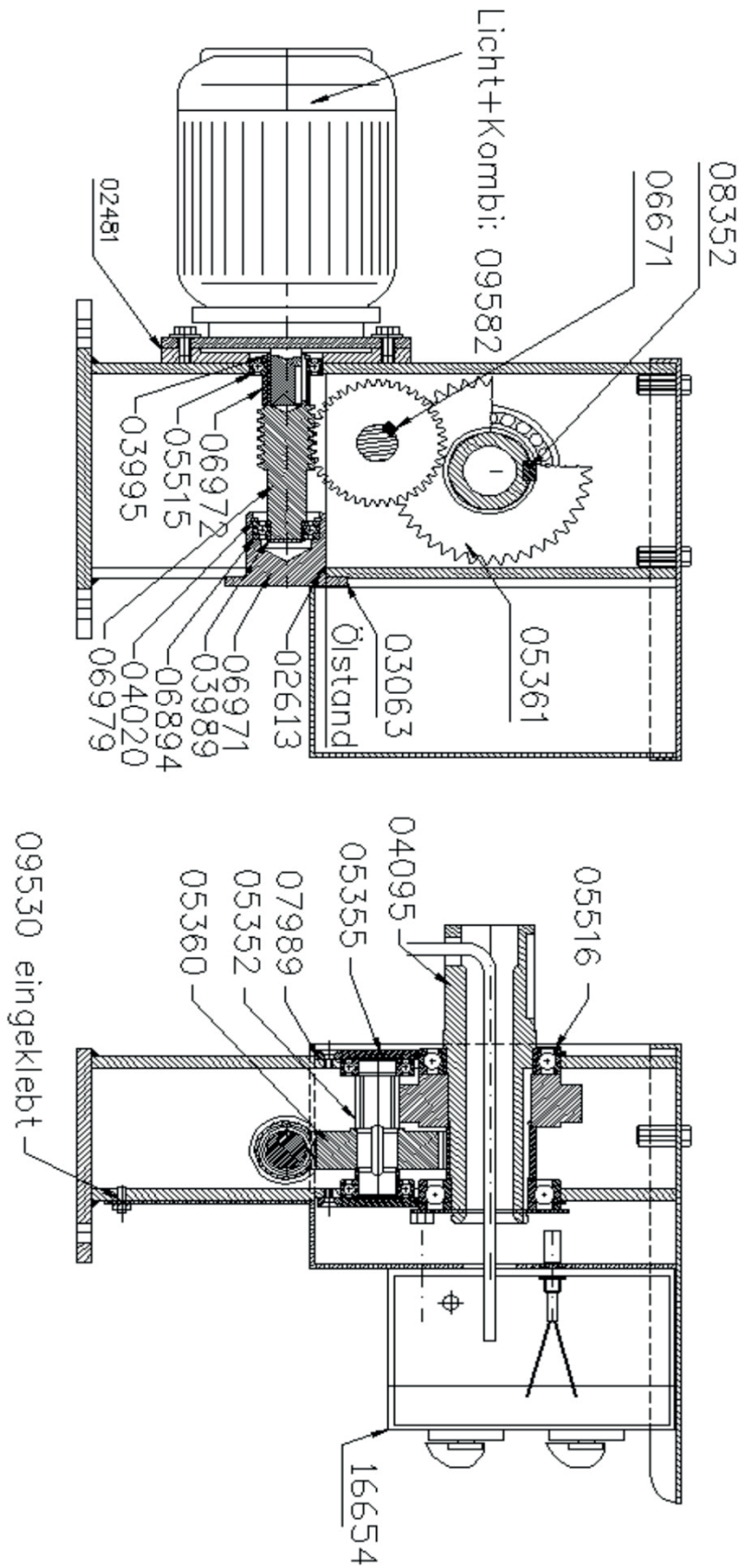
Tipping gear motor

Art.Nr:	Description 1	Description 2	Price
02481	MOTOR FLANGE GASKET	D 160 x D 111 x 0,75 HC=130	17,40
09582	MILLED TIPPING GEAR MOTOR	1,1KW COMBI SIZE80 1435RE/MIN	653,00
09726	MILLED TIPPING GEAR MOTOR	0,55KW 400V 1380R/MIN SIZE80	570,00
55372	MILLED TIPPING GEAR MOTOR	230V, 0,75kW, 1370U/min	653,50

D 150C
Tipping drum mixer

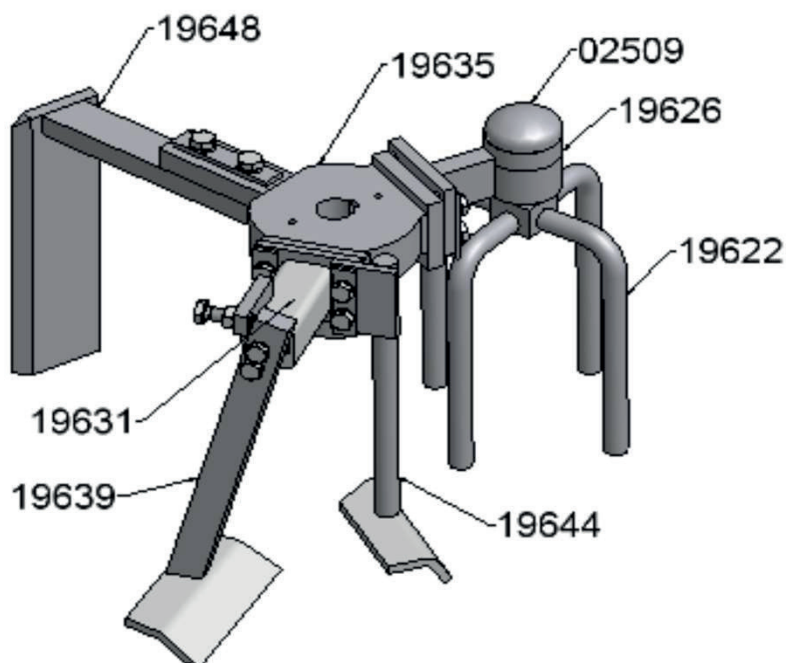
Tipping gear

Art.Nr:	Description 1	Description 2	Price
01191	SECURING RING A 50	DIN 471	4,60
02481	MOTOR FLANGE GASKET	D 160 x D 111 x 0,75 HC=130	17,40
02492	BALL BEARING 6005	DIN 625	26,20
02613	O-RING 47X3	DIN 3770	13,60
03063	COUNTERSUNK SCREW WITH SLIT	M6X12 DIN 963 GALVANISED	4,60
03067	COUNTERSUNK SCREW WITH SLIT	M8X16 DIN 963 GALVANISED	4,60
03077	ALLEN SCREW M5X8	DOM 912 GALVANISED	4,60
03202	CYLINDER HEAR SCREW M4X8	DIN 84 GALVANISED	4,60
03989	SECURING RING A 20	DIN 471	6,50
03995	SECURING RING A 25	DIN 471	6,50
04020	SECURING RING J 42	DIN 472	6,50
04095	DRIVE SHAFT FOR TIPPING GEAR	D150C	93,30
05352	COUNTERSHAFT D150C	TIPPING GEAR T=7 M=3	100,20
05355	BACK GEAR BEARING LID	D150C TIPPING GEAR	28,40
05358	BACK GEAR SPACER	D150C TIPPING GEAR	13,60
05360	WORM WHEEL T=42 M=2	D150C TIPPING GEAR	178,20
05361	SPUR GEAR T=42 M=3	D150C TIPPING GEAR	145,40
05365	GUIDE SLEEVE 1 (NO HOLE)	D150C TIPPING GEAR	13,60
05366	GUIDE SLEEVE 1 (WITH HOLE)	D150C TIPPING GEAR	13,60
05515	BALL BEARING 6005 2RS	DIN 625	35,00
05516	BALL BEARING 6011 2RS NR	DIN 625	54,60
06529	COMPENSATION LOCK WASHER	47X0,5 6005	9,20
06671	SQUARE KEY 8/7 X 28	DIN 6885 A	6,50
06894	BALL BEARING 6004	DIN 625	35,00
06923	BALL BEARING 6210 2 RS NR	DIN 625	56,50
06971	WORM GEAR BEARIN COLLAR	D150C TIPPING GEAR	71,60
06972	SPACER FOR WORM GEAR	D150C TIPPING GEAR	35,00
06979	WORM GEAR / TIPPING GEAR	D150C	160,50
07989	GASKET QUAL. REINZOLOID	DA79x35x0.5-LK65 3LO.6.5mm	13,60
08352	SQUARE KEY 14/9 X 36	DIN 6885 A	6,50
09530	THREADED BRAD M6 X 25	DIN 913 GALVANISED	4,60
12124	WASHER (EXACT) 50 X 62 X 2	DIN 988	9,20
06967	TIPPING GEAR COMPLETE	D 150 C	1150,60
16654	UNIVERSAL SWITCH 203.675	D150C COMPLETE CABLED	711,00



Assembly & Mixing gear

Art.Nr:	Description 1	Description 2	Price
19649	DRUM COMPLETE	DZ60VS	1069,50
19620	MIXING GEAR COMPLETE	DZ 60 VS	891,20
50380	HANDLE FOR TRANSPORT	COMPLETE	53,50
23385	DISCHARGE DOOR	DZ60VS	91,40
19683	COMPLETE SAFETY GRILLE HINGED	DZ 60 VS	356,70
01183	SOLID TIRE WHEEL DA225	BORE 25,2, NAVE LENGTH 50 mm	86,70
01184	QUICK FASTENER FOR AXLE 25	GALVANISED	13,60
01186	RUBBER GRIP 30mm	BLACK Z-321/A	10,80
50382	DISCHARGE-CHUTE GRILLE	DZ 60 VS	56,50
16437	MOULDED RUBBER TUBE ENDS	60/60/4 BLACK	13,60
04326	ADJUSTMENT SPANNER Nr. 6847/3		121,60
07098	COVER FOR LIMIT SWITCH		45,90
09280	BALL VALVE 3/4"		39,40
19677	SQUARE KEY 10/8 x 36	DIN 6885 B	6,50
02572	OIL SEAL 35/55/08	DIN 3760	24,10
19685	SAFETY TUBE FOR CABLE	DZ 60 VS	39,40
02509	BEARING 6205 2 RS	DIN 625	57,20
20028	OIL SEAL 30/52/07 NBR	DIN 3760/A	22,80
12856	SPRING FOR SAFETY GRILLE		54,60
10375	SLIDE BEARING	DZ60C DZ100VS	160,50
19622	REVOLVING STAR	DZ 60VS	196,00
19639	OUTER BOTTOM SCRAPER	DZ 60 VS	101,50
19644	INNER BOTTOM SCRAPER	DZ 60VS	94,40
19648	SIDE SCRAPER	DZ 60 VS	123,30
19626	STAR BEARING BLOCK	DZ 60 VS	123,30
19635	BUCKET HEAD	DZ 60 VS	178,30
19631	SPRUNG FOR OUTER	BOTTOM SCRAPER DZ 60VS	246,80
19663	DISCHARGE- CHUTEE	COMPLETE	90,80



Electrics

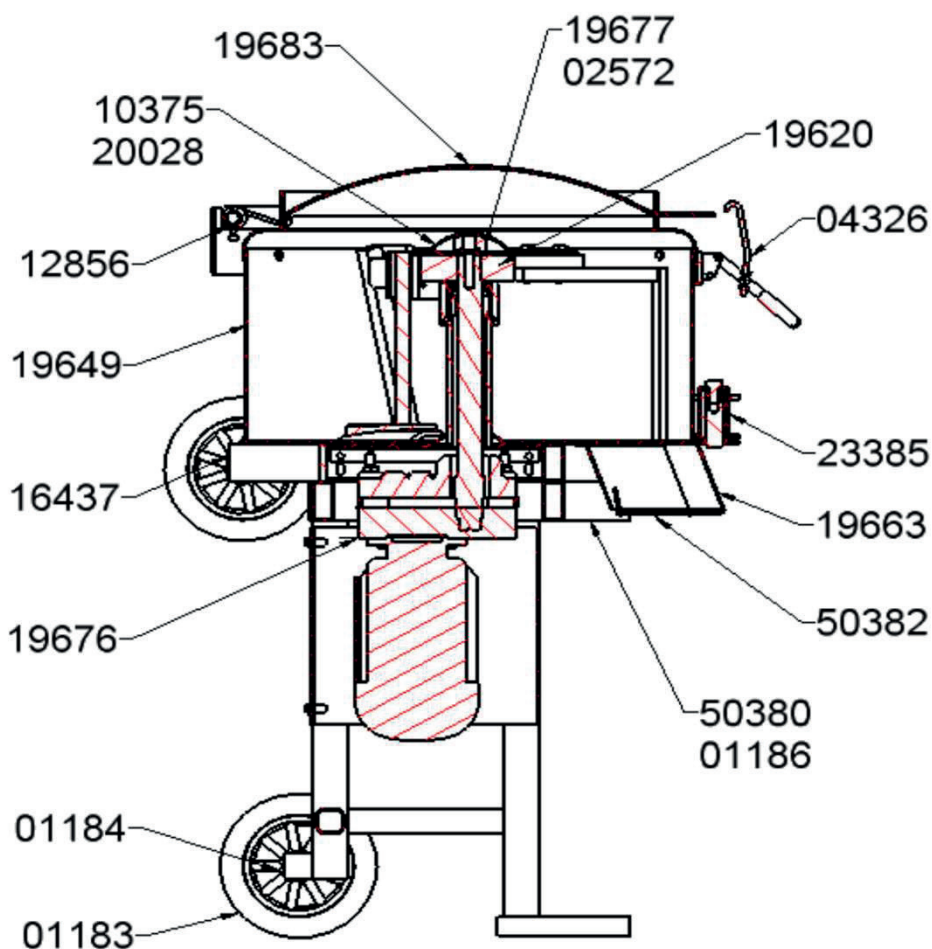
Art.Nr:	Description 1	Description 2	Price
19710	COMPLETE SWITCH BOX 400V	DZ100 V/VS	396,10
19711	COMPLETE SWITCH BOX 230V	DZ 100 V/VS	340,60
03577	CAPACITOR 80MF 450V DB	CABLE LENGTH 250mm COMBI	167,00
13906	LIMIT SWITCH XCKP 102	84x30x30	172,80

Gearbox

Art.Nr:	Description 1	Description 2	Price
19676	GEARBOX SG 40 -VS60	DZ 60 VS	1116,10

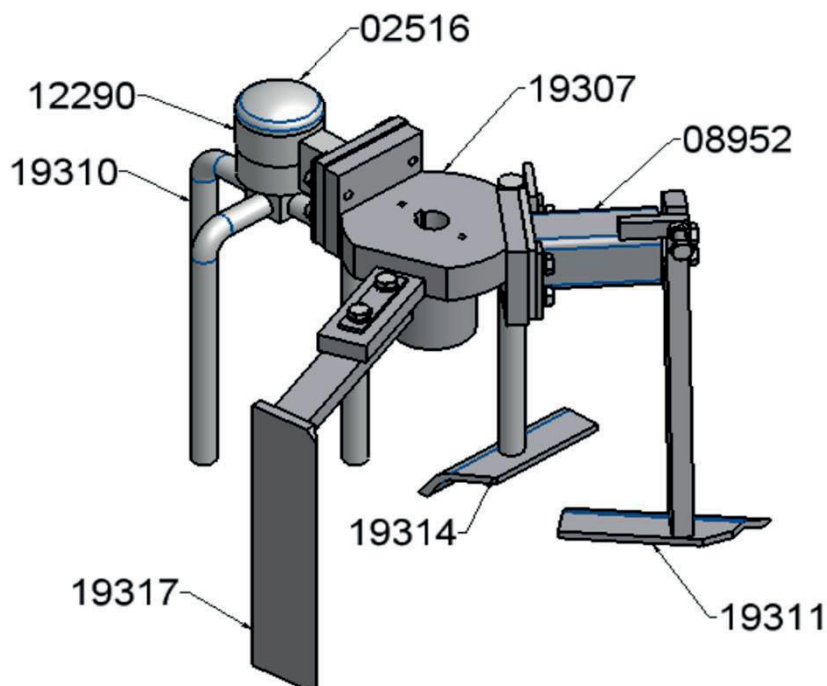
Motor

Art.Nr:	Description 1	Description 2	Price
02481	MOTOR FLANGE GASKET	D 160 x D 111 x 0,75 HC=130	17,40
09747	MOTOR PINION 21MM	NORMAL SHAFT T=20M=1,5 SG 39/2	91,40
20079	MOTOR 2,0 kW 1370U/m. 220-240V	50Hz 12,8A AM100 LBA4R3 W.ø19	1834,90
20080	MOTOR 2,2kw 1420 U/min	2,2kw 400V 50HZ SHAFT 19mm	1131,90
13370	FAN BLADE KRÄUTLER BG 100	1,85/4,0 KW	97,50
13351	KRÄUTLER MOTOR HOOD SIZE 100	1,85KW / 4,0 KW	141,10
13376	TERMINAL BOX COVER KRÄUTLER	BG 80 U. 100	36,70
54203	FAN BLADES IEC 100 ALU	KEB/LENZE	97,70
28102	MOTOR HOOD IEC 100 ALU	KEB/LENZE	141,10



Assembly & Mixing gear

Art.Nr:	Description 1	Description 2	Price
16346	DRUM WITHOUT MIXING GEAR	DZ100VS	1143,80
19618	MIXING GEAR COMPLETE	DZ100VS incl. instal. parts	943,50
16345	HANDLE FOR TRANSPORT	DZ100VS	54,60
16563	DISCHARGE DOOR	DZ 100VS	72,50
16352	COMPLETE SAFETY GRILLE HINGED	DZ100VS	424,70
01183	SOLID TIRE WHEEL DA225	BORE 25,2, NAVE LENGTH 50 mm	86,70
01184	QUICK FASTENER FOR AXLE 25	GALVANISED	13,60
01186	RUBBER GRIP 30mm	BLACK Z-321/A	10,80
12302	DISCHARGE-CHUTE GRILLE	DZ100VS / DZ120V	56,50
16437	MOULDED RUBBER TUBE ENDS	60/60/4 BLACK	13,60
04326	ADJUSTMENT SPANNER Nr. 6847/3		121,60
07098	COVER FOR LIMIT SWITCH		45,90
09280	BALL VALVE 3/4"		39,40
07060	SQUARE KEY 10/8 X 70	DIN 6885 A	6,50
02572	OIL SEAL 35/55/08	DIN 3760	24,10
16379	SAFETY TUBE FOR CABLE	TO LIMIT SWITCH DZ100VS	39,40
02516	BEARING 6207	DIN 625 2RS	41,70
12278	OIL SEAL 40-72-10 DIN 3760		28,40
12856	SPRING FOR SAFETY GRILLE		54,60
10375	SLIDE BEARING	DZ60C DZ100VS	160,50
19310	REVOLVING STAR	DZ100VS-S	186,30
19311	BOTTOM SCRAPER SPRING-MOUNTED	DZ100VS-S	83,40
19314	BOTTOM SCRAPER	DZ100VS-S	87,00
19317	SIDE SCRAPER	DZ100VS-S	112,80
12290	BEARING BLOCK FOR	REVOLVING STAR DZ100VS/DZ120V	109,10
19307	BUCKET HEAD	DZ100VS-S MIXING GEAR	206,70
08952	SPRUNG FOR OUTER	BOTTOM SCRAPER DZ120V	261,20
07813	DISCHARGE-CHUTE	DZ120V	91,40



Electrics

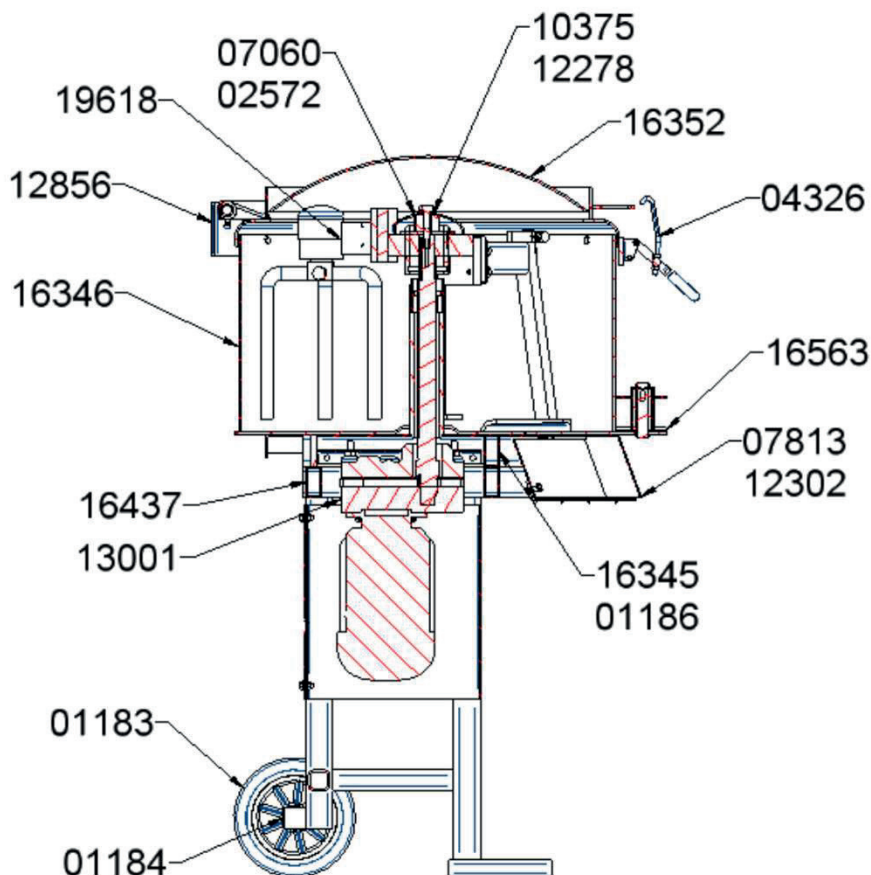
Art.Nr:	Description 1	Description 2	Price
19710	COMPLETE SWITCH BOX 400V	DZ100 V/VS	396,10
19711	COMPLETE SWITCH BOX 230V	DZ 100 V/VS	340,60
03577	CAPACITOR 80MF 450V DB	CABLE LENGTH 250mm COMBI	167,00
13906	LIMIT SWITCH XCKP 102	84x30x30	172,80
11951	COIL FOR LOW VOLATAGE SWITCH	400V Typ 1323/1	116,10
16875	COIL FOR LOW VOLTAGE SWITCH	230V TYPE 374/2	109,10

Gearbox

Art.Nr:	Description 1	Description 2	Price
13001	GEARBOX SG 40C	DZ100C	1116,10

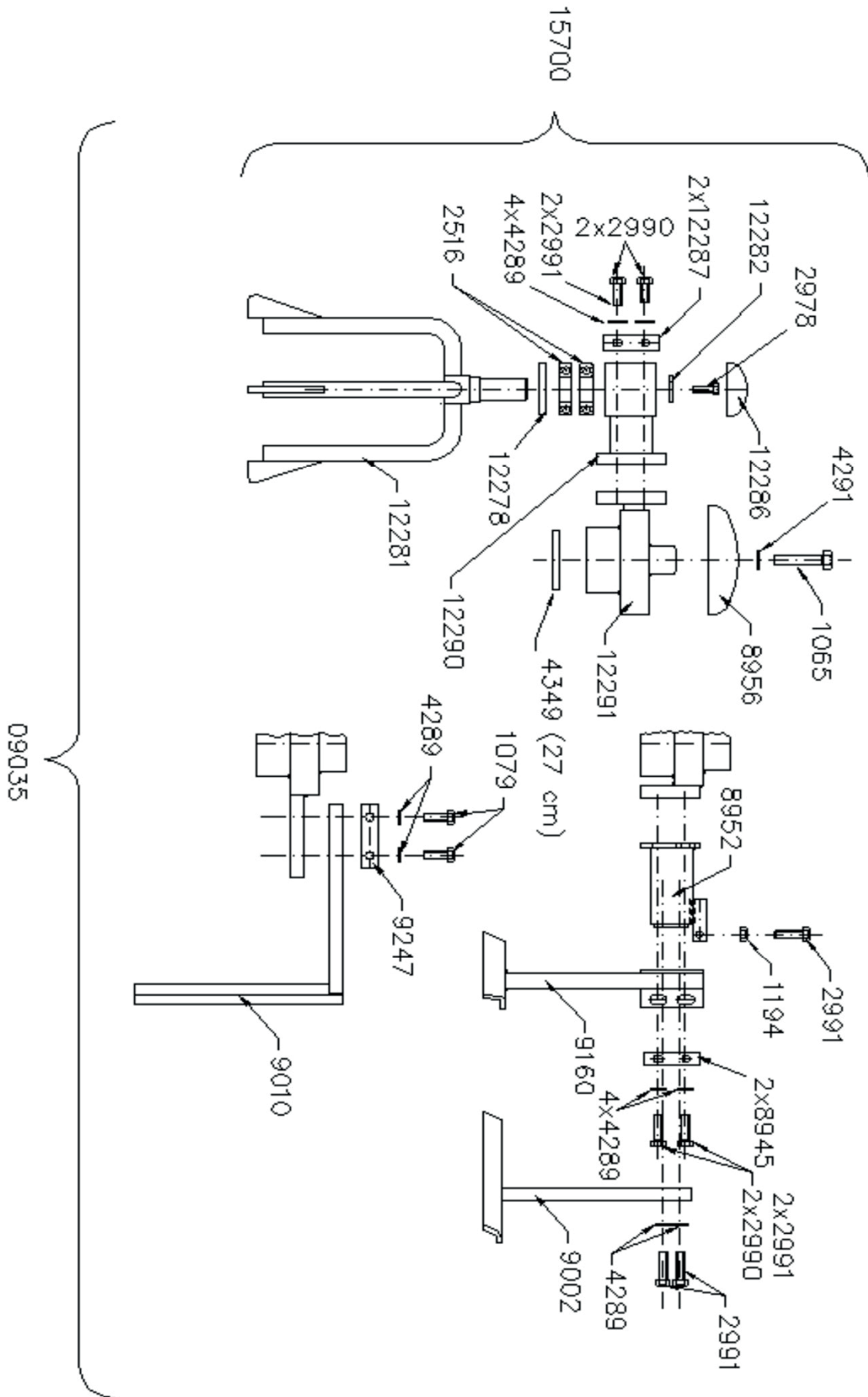
Motor

Art.Nr:	Description 1	Description 2	Price
02481	MOTOR FLANGE GASKET	D 160 x D 111 x 0,75 HC=130	17,40
02754	MOTOR PINION 21MM WIDTH	POS 225 T=20 M=1,5 SG40C-V,61	97,50
09747	MOTOR PINION 21MM	NORMAL SHAFT T=20M=1,5 SG 39/2	91,40
20079	MOTOR 2,0 kW 1370U/m. 220-240V	50Hz 12,8A AM100 LBA4R3 W.ø19	1834,90
20080	MOTOR 2,2kw 1420 U/min	2,2kw 400V 50HZ SHAFT 19mm	1131,90
13370	FAN BLADE KRÄUTLER BG 100	1,85/4,0 KW	97,50
13351	KRÄUTLER MOTOR HOOD SIZE 100	1,85KW / 4,0 KW	141,10
13376	TERMINAL BOX COVER KRÄUTLER	BG 80 U. 100	36,70
54203	FAN BLADES IEC 100 ALU	KEB/LENZE	97,70
28102	MOTOR HOOD IEC 100 ALU	KEB/LENZE	141,10



Assembly & Mixing gear

Art.Nr:	Description 1	Description 2	Price
01186	RUBBER GRIP 30mm	BLACK Z-321/A	10,80
02330	TOP RING WITH CRANE HOOKS	DZ120V	210,50
02516	BEARING 6207	DIN 625 2RS	41,70
02576	OIL SEAL 35/72/10	DIN 3760	28,40
12278	OIL SEAL 40-72-10 DIN 3760		28,40
04326	ADJUSTMENT SPANNER Nr. 6847/3		121,60
04349	FELT STRIP 1000X8X6		32,50
07098	COVER FOR LIMIT SWITCH		45,90
07813	DISCHARGE-CHUTE	DZ120V	91,40
08535	PROTECTION TUBE FOR CABLE	DZ120V/DZ180S-VA	45,90
08900	TYRE GBL 400X100X25	BALL BEARINGS	192,90
08918	PUSH ROD FOR BRACKET	DZ120V/180V FRAME	56,50
12856	SPRING FOR SAFETY GRILLE		54,60
12302	DISCHARGE-CHUTE GRILLE	DZ100VS / DZ120V	56,50
08978	SLEEVE FOR DISCHARGE BEARING	DZ120V	30,40
08984	DRUM COMPLETE	DZ120V	1422,10
08995	TRANSPORT ARM	DZ 120V	130,60
09259	SETTING UP ARM ASSIST	WELDED DZ120V	58,90
09003	DISCHARGE DOOR	DZ120V	123,30
09018	RIGHT BRACKET DZ120V		86,70
09011	TOWBAR DZ120V		128,00
09013	LEFT BRACKET DZ120V		86,70
09015	FRAME DZ120V		665,60
09017	TOP RING FOR GRILLE	DZ 120S,V	260,10
09248	SOLID TIRE DA 400X75	GB 400/75/5	192,90
09009	REVOLVING STAR WITH BEARING	O L D !!!!!	310,10
09083	MOTOR PROTECTION FUSE	DZ120V	173,70
09035	COMPLETE MIXING PARTS	DZ 120 V	1103,00
09160	BOTTOM SCRAPER COMPLETE	DZ120V	100,20
09010	SIDE SCRAPER COMPLETE	DZ 120V	142,10
09002	BOTTOM SCRAPER SPRING MOUNTED	DZ120V	110,30
08956	MIXING GEAR TOP PLATE	FOR DZ120V	24,10
08952	SPRUNG FOR OUTER	BOTTOM SCRAPER DZ120V	261,20
12281	REVOLVING STAR	DZ120V	246,80
12282	DISC FOR REVOLVING STAR	DZ120V	17,40
12286	COVER FOR REVOLVING STAR	DZ100VS / DZ120V	58,00
12290	BEARING BLOCK FOR	REVOLVING STAR DZ100VS/DZ120V	109,10
12291	WELDED STEEL TOP PLAT	DZ120V	232,20
02869	HINGED GUARD DZ120V		522,50
15700	REVOLVING STAR DZ120V	WITH BEARING BUSH MOUNTED	326,80



Electrics

Art.Nr:	Description 1	Description 2	Price
13906	LIMIT SWITCH XCKP 102	84x30x30	172,80
09425	SWITCH COMPLETE DZ120V	1323/4, 4KW	566,00
11790	COVER FOR SWITCH HOUSING	TYP 1323/1	80,00
11791	BOTTOM FOR SWITCH HOUSING	TYP 1323/1	69,60
11792	SCREWS FOR SWITCH COVER	TYP 1323/1	4,60
11951	COIL FOR LOW VOLATAGE SWITCH	400V Typ 1323/1	116,10

Gearbox

Art.Nr:	Description 1	Description 2	Price
09734	GEARBOX SG 61-2V	DZ120V	1886,60

Motor

Art.Nr:	Description 1	Description 2	Price
02481	MOTOR FLANGE GASKET	D 160 x D 111 x 0,75 HC=130	17,40
02753	MOTOR SHAFT POS 222	Z=13,M=2,DRFZ 404 3KW	576,60
03291	FAN BLADE SIZE 10 TO	ERF 254 DRF304/404,DRVF304B	89,10
06951	TERMINAL BOARD THIEN	SIZE AS GIVEN	39,40
06952	TERMINAL BOX COVER THIEN	SIZE AS GIVEN	39,40
07591	FLANGE CASE BACK SIZE 9		113,00
07593	MOTOR HOOD SIZE 9 METALL FOR	ERF254,ERF304,DRF304,DRF404	123,50
10233	MOTOR HOOD ABM BG 100		47,90
10580	TERMINAL BOX COVER ABN BG 100		39,40
54329	MOTOR 4,0kW 1500U/min	BG112 400V - 50/60Hz - IE2	1674,70
11909	MOTOR FLANGE ABM BG 100		35,00
13351	KRÄUTLER MOTOR HOOD SIZE 100	1,85KW / 4,0 KW	141,10
13370	FAN BLADE KRÄUTLER BG 100	1,85/4,0 KW	97,50
13376	TERMINAL BOX COVER KRÄUTLER	BG 80 U. 100	36,70
09558	MOTOR SHAFT Z=13 M=2 4KW	DKFZ 100 LR 554 Thien	576,60
16193	MOTOR SHAFT Z=13 M=2 4KW	DF 100 C 4 ABM	576,60
16194	MOTOR SHAFT Z=13 M=2 4KW	AM 100 LF4 AEG	576,60
54203	FAN BLADES IEC 100 ALU	KEB/LENZE	97,70
28102	MOTOR HOOD IEC 100 ALU	KEB/LENZE	141,10

Assembly & Mixing gear

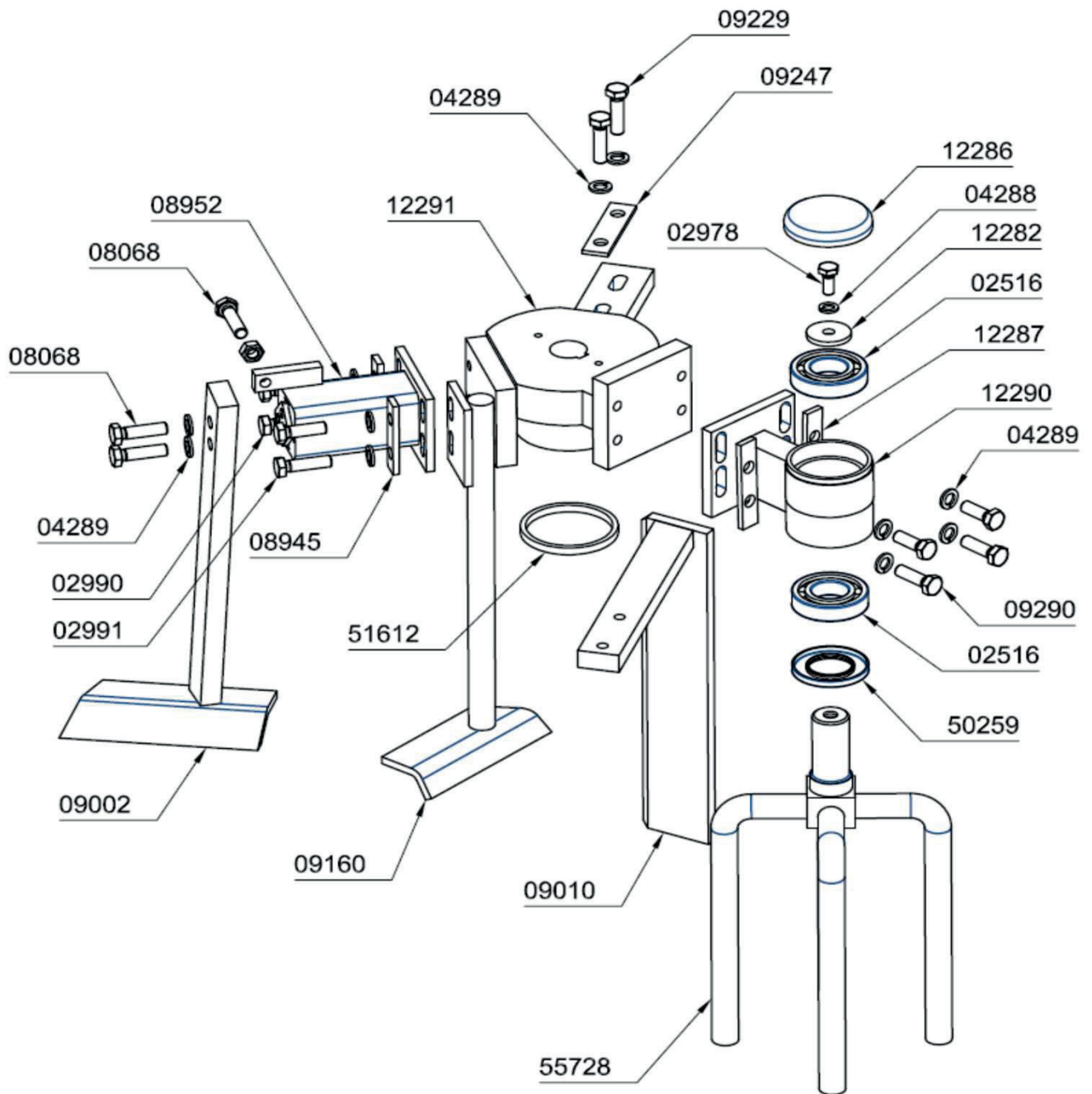
Art.Nr:	Description 1	Description 2	Price
01186	RUBBER GRIP 30mm	BLACK Z-321/A	10,80
02516	BEARING 6207	DIN 625 2RS	41,70
02576	OIL SEAL 35/72/10	DIN 3760	28,40
04326	ADJUSTMENT SPANNER Nr. 6847/3		121,60
55727	DISCHARGE-CHUTE	DZ120ECO	66,30
55688	DISCHARGE-CHUTE GRILLE	DZ120ECO	56,50
55907	DRUM COMPLETE	DZ120ECO	1066,30
55797	DISCHARGE DOOR	DZ120ECO	122,10
55730	COMPLETE MIXING PARTS	DZ120ECO	1103,00
09160	BOTTOM SCRAPER COMPLETE	DZ120V	100,20
09010	SIDE SCRAPER COMPLETE	DZ 120V	142,10
09002	BOTTOM SCRAPER SPRING MOUNTED	DZ120V	110,30
08956	MIXING GEAR TOP PLATE	FOR DZ120V	24,10
08952	SPRUNG FOR OUTER	BOTTOM SCRAPER DZ120V	261,20
55728	REVOLVING STAR	DZ120ECO	246,80
12282	DISC FOR REVOLVING STAR	DZ120V	17,40
12286	COVER FOR REVOLVING STAR	DZ100VS / DZ120V	58,00
12287	COVER FOR REVOLVING STAR	FIXING DZ100VS / DZ120V	13,60
12290	BEARING BLOCK FOR	REVOLVING STAR DZ100VS/DZ120V	109,10
12291	WELDED STEEL TOP PLAT	DZ120V	232,20
55733	HINGED GUARD	DZ120ECO	392,00
15700	REVOLVING STAR DZ120V	WITH BEARING BUSH MOUNTED	326,80

Electrics

Art.Nr:	Description 1	Description 2	Price
13906	LIMIT SWITCH XCKP 102	84x30x30	172,80
55674	SWITCH COMPLETE	DZ120ECO	396,20

Gearbox / Motor

Art.Nr:	Bezeichnung 1	Bezeichnung 2	Preis
54908	WORM GEAR MOTOR NMRV	3,00kW 1420U/min 230/400V	1206,40



Assembly

Art.Nr:	Description 1	Description 2	Price
01186	RUBBER GRIP 30mm	BLACK Z-321/A	10,80
02122	SAFETY PIN WITH CHAIN	COMPLETE	58,90
07580	TYRE 16 X 4		63,00
07579	INNER TUBE 16 X 4		39,40
08900	TYRE GBL 400X100X25	BALL BEARINGS	192,90
13833	COMPLETE MIXING PARTS	DZ 180V-VA	3259,00
02298	SIDE SCRAPER DZ180V		262,80
02366	TOP PLATE COVER	DZ180V	86,70
02370	TOP PLATE WELDED	FOR MIDDLE TUBE S DZ180/300	738,10
11698	TOP PLATE WELDED	FOR MIDDLE TUBE V DZ180/300	783,70
02374	SIDE SCRAPER COMPLETE	DZ180V	261,20
02376	STAR BEARING HOUSING	DZ180V/DZ300V	682,10
02380	REVOLVING STAR	DZ180V	471,50
02381	INNER BOTTOM SCRAPER COMPL.	DZ180V	358,40
02393	SPRUNG FIXING COMPLETE	DZ180V	500,90
12849	OIL SEAL 45/85/10	DIN 3760	32,50
04349	FELT STRIP 1000X8X6		32,50
04326	ADJUSTMENT SPANNER Nr. 6847/3		121,60
02798	SQUARE KEY 12/8 X 70	DIN 6885 A	10,80
06980	COMPRESSION RING	FOR SPRUNG FIXING	54,60
06999	TOP PLATE SPACER	DZ180V	28,90
07095	HINGED GUARD	DZ180V	761,80
07098	COVER FOR LIMIT SWITCH		45,90
08535	PROTECTION TUBE FOR CABLE	DZ120V/DZ180S-VA	45,90
09278	SEALING RING DZ180V	WITH WATERPIPE WIHOUT CRANEHOO	624,20
09280	BALL VALVE 3/4"		39,40
10275	DRUM COMPLETE	DZ180V	1959,10
10282	DISCHARGE DOOR	DZ180V	377,30
14864	SPRING FOR SAFETY GRILLE	DZ180V	65,30
02524	BALL BEARING 6209 X RS	DIN 625	43,60
08978	SLEEVE FOR DISCHARGE BEARING	DZ120V	30,40

Electrics

Art.Nr:	Description 1	Description 2	Price
13906	LIMIT SWITCH XCKP 102	84x30x30	172,80
11799	COMPLETE SWITCH DZ180V	7,5 & 9 kW SG kpl. 8K16A	703,90
07266	BLADE FIXING FOR SWITCH	DZ 180S	130,60

Motor

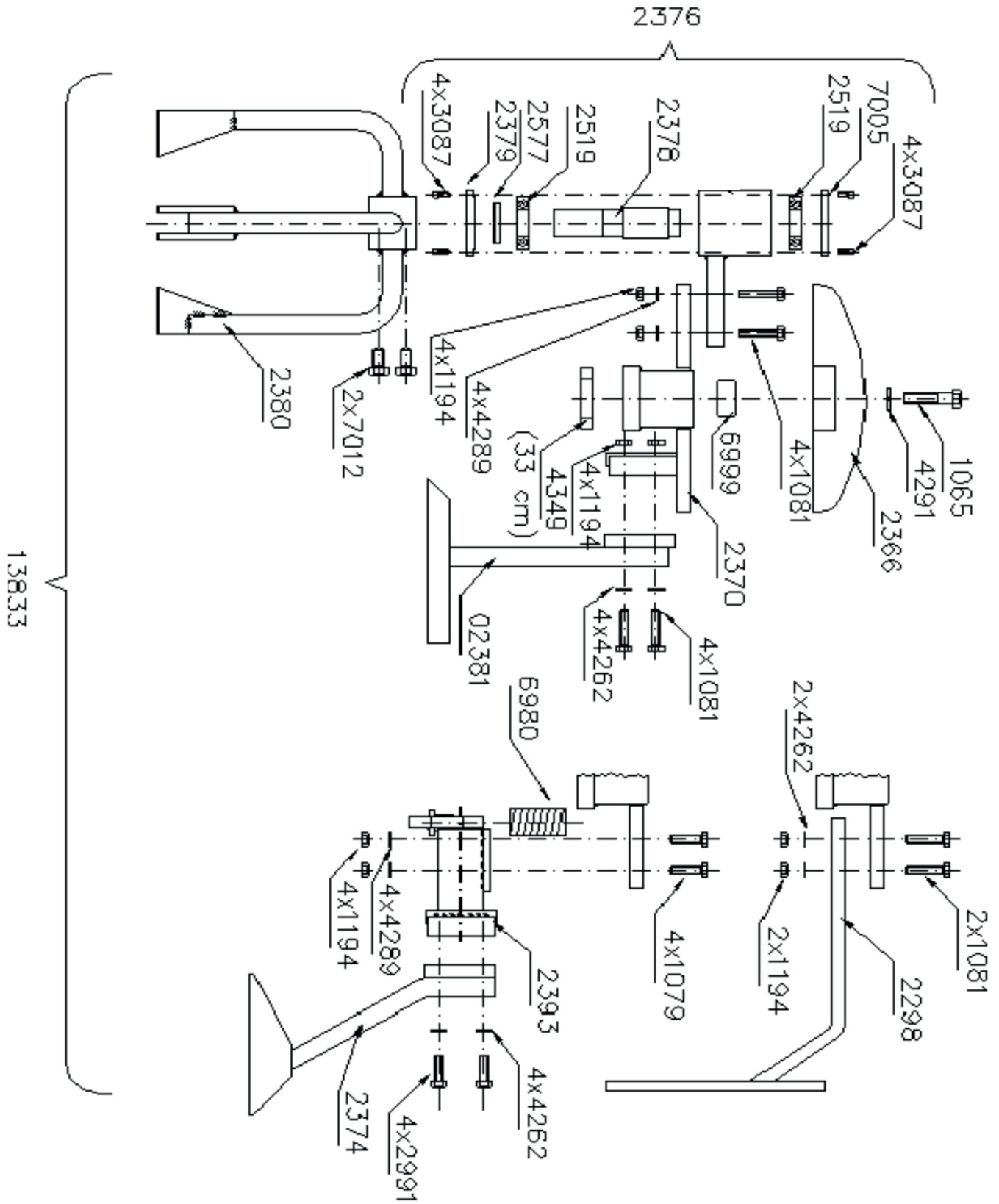
Art.Nr:	Description 1	Description 2	Price
02434	FAN BLADES SIZE 12	FOR DKFZ132/SI754/MI1004/1204	117,30
02647	REINZOLOID MOTOR FLANGE GASKET	D250xD180,5x0,75, 4 HOLE	24,10
07604	MOTOR HOOD SIZE 12 FOR	DKFZ132/SI754/MI1004/1204	117,30
09918	MOTOR 5,5 KW 1500 REV/MIN	REPLACED BY 09919+11799	2808,40
09919	MOTOR 7,5 kW/1500REV/MIN	BG 132 400V, TOOTHED SHAFT	3477,50
11910	FAN BLADES ABM BG 132	FOR 7,5 KW MOTOR	115,00
11911	MOTOR HOOD ABM 132	FOR 7,5 KW MOTOR	139,30
11922	FAN BLADES ABM BG 1/132	FOR 5,5 KW MOTOR	97,50
11923	MOTOR HOOD ABM BG 1/132	FOR 5,5 KW MOTOR	128,00
25615	FAN BLADES IEC 132 ALU	KEB/LENZE	115,00
28135	MOTOR HOOD IEC 132 ALU	KEB/LENZE	142,70

Gearbox

Art.Nr:	Description 1	Description 2	Price
10971	GEARBOX SG-55V	DZ180V	3510,10

Mixing gear

Art.Nr:	Description 1	Description 2	Price
01065	HEXAGONAL BOLT M 16 X 70	DIN 931 GALVANISED	4,60
01079	HEXAGONAL BOLT M12 X 45	DIN 931 GALVANISED	4,60
01081	HEXAGONAL BOLT M12 X 55	DIN 931 GALVANISED	4,60
01082	HEXAGONAL BOLT M12X60	DIN 931 GALVANISED	4,60
01194	NUT M 12	DIN 934 GALVANISED	4,60
02298	SIDE SCRAPER DZ180V		262,80
02366	TOP PLATE COVER	DZ180V	86,70
02374	SIDE SCRAPER COMPLETE	DZ180V	261,20
02376	STAR BEARING HOUSING		682,10
02378	BEARING COLLAR SHAFT	DZ180V	191,30
02379	OIL SEAL COVER FOR BEARING	COLLAR DZ180V	54,60
02380	REVOLVING STAR	DZ180V	471,50
02381	INNER BOTTOM SCRAPER COMPL.	DZ180V	358,40
02393	SPRUNG FIXING COMPLETE	DZ180V	500,90
02519	BALL BEARING 6208 2 RS	DIN 625	41,70
02577	OIL SEAL 40/62/10	DIN 3760	22,20
02991	HEXAGONAL BOLT M12 X 40	DIN 933 GALVANISED	4,60
03087	ALLEN SCREW M6 X 16	DIN 912	4,60
04262	WASHER M 12	DIN 125 GALVANISED	4,60
04289	LOCK RING M 12	DIN 127 GALVANISED	4,60
04291	LOCK RING M 16	DIN 127 GALVANISED	4,60
04349	FELT STRIP 1000X8X6		32,50
06980	COMPRESSION RING	FOR SPRUNG FIXING	54,60
06999	TOP PLATE SPACER	DZ180V	28,90
07005	COVER BEARING STAR HOUSING	DZ180S/VA	35,00
07012	REVOLVING STAR SCREW	DZ180-DZ300VA M16x30 DRILLED	4,60
02370	TOP PLATE WELDED	FOR MIDDLE TUBE S DZ180/300	738,10
11698	TOP PLATE WELDED	FOR MIDDLE TUBE V DZ180/300	783,70
13833	COMPLETE MIXING PARTS	DZ 180V-VA	3259,00



DZ 180VA
Pan mixer

Assembly

Art.Nr:	Description 1	Description 2	Price
01179	FLOOR GRATING 1496 X 796	MW31 GALVANISED	444,60
01180	RIMMED WHEEL FOR DZ180SA/VA	4/85/130 ETO-155SR13	394,60
02141	FEET SAFETY PINS WITH CHAIN	DZ180SA, VA FRAME	45,90
07509	HOOKS FOR FILLING CHAIN	DZ180SA,VA FRAME	45,90
08132	STEPS TO PLATFORM	DZ180SA/VA	482,30
11103	RUBBER DOOR BUFFER	DA 40MM L 50MM	13,60
11415	COMPLETE TOWBAR	DZ180/300VA TOWBAR	699,80
11424	COMPLETE LEFT FOOT	DZ 180 VA	128,00
11780	COMPLETE PLATFORM	DZ180/300VA PLATFORM	1692,50
11917	COMPLETE AXLE	DZ 180VA FRAME	635,00
11924	COMPLETE RIGHT FOOT	DZ 180VA	128,00

Drum & Mixing gear

Art.Nr:	Description 1	Description 2	Price
02298	SIDE SCRAPER DZ180V		262,80
02370	TOP PLATE WELDED	FOR MIDDLE TUBE S DZ180/300	738,10
11698	TOP PLATE WELDED	FOR MIDDLE TUBE V DZ180/300	783,70
02374	SIDE SCRAPER COMPLETE	DZ180V	261,20
02376	STAR BEARING HOUSING	DZ180V/DZ300V	682,10
02380	REVOLVING STAR	DZ180V	471,50
02381	INNER BOTTOM SCRAPER COMPL.	DZ180V	358,40
02393	SPRUNG FIXING COMPLETE	DZ180V	500,90
12849	OIL SEAL 45/85/10	DIN 3760	32,50
09278	SEALING RING DZ180V	WITH WATERPIPE WIHOUT CRANEHOC	624,20
10275	DRUM COMPLETE	DZ180V	1959,10
10282	DISCHARGE DOOR	DZ180V	377,30

Drivemotor for mixing gear

Art.Nr:	Description 1	Description 2	Price
02434	FAN BLADES SIZE 12	FOR DKFZ132/SI754/MI1004/1204	117,30
02647	REINZOLOID MOTOR FLANGE GASKET	D250xD180,5x0,75, 4 HOLE	24,10
07604	MOTOR HOOD SIZE 12 FOR	DKFZ132/SI754/MI1004/1204	117,30
09918	MOTOR 5,5 KW 1500 REV/MIN	REPLACED BY 09919+11799	2808,40
09919	MOTOR 7,5 kW/1500REV/MIN	BG 132 400V, TOOTHED SHAFT	3477,50
11911	MOTOR HOOD ABM 132	FOR 7,5 KW MOTOR	139,30
11922	FAN BLADES ABM BG 1/132	FOR 5,5 KW MOTOR	97,50
11923	MOTOR HOOD ABM BG 1/132	FOR 5,5 KW MOTOR	128,00
25615	FAN BLADES IEC 132 ALU	KEB/LENZE	115,00
28135	MOTOR HOOD IEC 132 ALU	KEB/LENZE	142,70

Gearbox

Art.Nr:	Description 1	Description 2	Price
10974	GEARBOX SG44V FOR DZ180V	DZ180VA	3408,20

Skip, mechanical part

Art.Nr:	Description 1	Description 2	Price
02433	TREAD ROLLER	DZ180VA	86,70
07575	AXLE SHAFT	DZ 180 SA,VA	89,10
07576	AXLE STUMP	DZ180SA,VA	24,10
08342	STEEL CABLE DA 10MM X 114	4,7M WITH THIMBLE GALVANISED	86,70
11613	LOADER AXLE COMPLETE	DZ 180 VA	318,70
11615	COMPLETE LOADER PARTS	DZ180VA	1060,00

Skip, gearbox

Art.Nr:	Description 1	Description 2	Price
02810	GEARBOX SG 39-2A	REPLACED BY SG40	
13000	GEARBOX SG 40A	FOR WINCHES 170, 230, 350, 500	1148,80
	SG40A from machine no.: 54.650		

Scraper System, Gearbox

Art.Nr:	Description 1	Description 2	Price
01072	HEXAGONAL SCREW M10 X 50	DIN 931 GALVANISED	4,60
02531	BALL BEARING 6302	DIN 625	24,10
02540	BALL BEARING 6306	DIN 625	47,90
02546	BALL BEARING 6307 Z	DIN 625	50,10
02572	OIL SEAL 35/55/08	DIN 3760	24,10
02644	GEARBOX GASKET SG118-2 160-2	170 x 185 x 0.75	13,60
02648	FLANGE GASKET SG 160/2	D 80 x D 60 x 0,75	13,60
02692	COUNTER SHAFT POS 146	T=14 M=2 SG 160/2	147,40
02708	SPUR GEAR T=44 M=2 POS 173	SG160/2	173,70
02737	DRIVE SHAFT 35 D POS 206	SG 160-2	195,50
02819	GEARBOX SG 160-2	Kuli 200,SCRAPER SINCE 1990	1181,10
02854	OIL SEAL COVER	SG160-2	60,80
03103	ALLEN KEY M8 X 35	DIN 912	4,60
04007	SAFETY RING A 27	DIN 471	13,60
06096	SPUR GEAR T=67 M=1 POS 186/2	WIDE SG 160/2; 118/2	93,30
06215	COMPENSATION LOCK WASHER	40 X 0,5 - 6302	13,60

Brake

Art.Nr:	Description 1	Description 2	Price
04286	LOCK RING M 6	DIN 127 GALVANISED	10,80
10209	ELASTICITY BREAK 230V 16MW	14.448.10.0.1.0-190V LENZE	563,80
10210	COMPLETE MAGNETIC PARTS 230V	14.448.10-POS.1.00-190V LENZE	338,40
10211	MAGNETIC PARTS 230V 16 NW	14.448.10-POS.1.01-190V LENZE	195,50
10212	ANCHOR RING	14.448.10-POS.1.02 LENZE	78,10
10213	COMPRESSION PIECE	14.448.10-POS.1.03 LENZE	22,20
10214	COMPRESSION SPRING	14.448.10-POS.1.04 LENZE	22,20
10215	ADJUSTMENT RING	14.448.10-POS.1.05 LENZE	80,60
10216	SLEEVE	14.448.10-Pos.1.07 LENZE	22,20
10217	COMPLETE ROTOR	14.448.10-Pos.2.00 Lenze	270,90
10218	HUB	14.448.10-Pos.3.00 Lenze	110,70
10219	ROTOR	14.448.10 LENZE	160,50
10265	REAR-RECTIFIER 270V 1A	LENZE BREAK TYP 14:630:13:004	137,80
10630	FRICTION PLATE	14.448.1010-Pos.7.00 LENZE	22,20
10631	SECURING SCREWS SET	14.448.10-Pos.8.00 Lenze	22,20
10632	ALLEN SCREW M6 X 55	DIN 912 GALVANISED	10,80

Switch Cupboard

Art.Nr:	Description 1	Description 2	Price
10587	SWITCH CUPBOARD	DZ 180 SA/VA GRAF	5633,60

Scraper System, mechanical part

Art.Nr:	Description 1	Description 2	Price
01604	STEEL CABLE DA 6:0	42X0,65 BL	9,20
02176	CABLE DRUM FOR SCRAPER		171,30
02180	CABLE HOOK		36,70
02798	SQUARE KEY 12/8 X 70	DIN 6885 A	10,80
04847	COMPRESSION SPRING	AFTER RUN BREAK	13,60
04848	WOODEN BRAKE TAPPET	AFTER RUN BREAK	26,20
07806	SCRAPPER FRAME	DZ 180 SA,VA	621,90
08089	WELDED AFTER BRAKING	FOR SCRAPER	106,30
10108	CABLE CLIP WITH STOP	B-SCRAPER	97,50
10556	CABLE CLIP 5/16" M6	GALVANISED	13,60

Scraper System, motor

Art.Nr:	Description 1	Description 2	Price
02756	MOTOR PINION Z=24, M=1	SG 22,24,26,35,51	50,10
04145	MOTOR 90L 910REV/MIN 6SW	1,1 KW 400V 50HZ	1395,80

Scraper System, electrics

Art.Nr:	Description 1	Description 2	Price
02199	PRESS KEY HOUSING		115,00
14129	PRESS KEY TO EXCHANGE	REPLACEMENT TO RAFI PRESS KEY	67,30
03731	CABLE (GML) 2 X 1,0 H05RR-4	DIN 40711	13,60
13323	COMPLETE REMOTE CONTROL PORT	FOR DZ 180 SA90, VA	95,70

Assembly

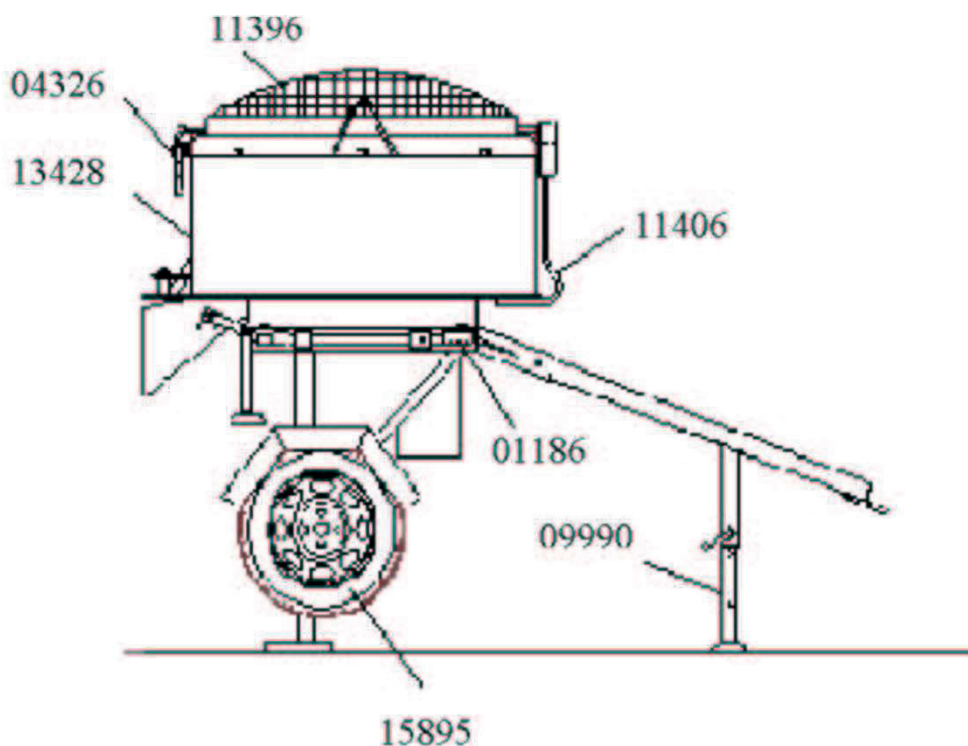
Art.Nr:	Description 1	Description 2	Price
15895	RIMY WHEEL 155R 12 4X100 CMPL.		394,60
01186	RUBBER GRIP 30mm	BLACK Z-321/A	10,80
04326	ADJUSTMENT SPANNER Nr. 6847/3		121,60
09123	DRUM SEAL RING	DZ300V	702,60
09206	COMPLETE DRUM FOR DZ300V	WITH S-HUB HEAD	2255,80
09990	COMPLETE LIFTING ARM	DZ300V	851,70
11396	HINGED GUARD DZ300V		830,10
11406	COMPLETE CABLE SAFETY TUBING	DZ300V	47,90
02370	TOP PLATE WELDED	FOR MIDDLE TUBE S DZ180/300	738,10
11698	TOP PLATE WELDED	FOR MIDDLE TUBE V DZ180/300	783,70
13428	DRUM COMPLETE	DZ300V	2321,70
09209	DISCHARGE DOOR	DZ300V	452,90

Electrics

Art.Nr:	Description 1	Description 2	Price
16195	SET FIXING FOR SWITCH	COMPLETE D100/120 DZ60 C CL	45,90
13906	LIMIT SWITCH XCKP 102	84x30x30	172,80
11799	COMPLETE SWITCH DZ180V	7,5 & 9 kW SG kpl. 8K16A	703,90

Motor

Art.Nr:	Description 1	Description 2	Price
02434	FAN BLADES SIZE 12	FOR DKFZ132/SI754/MI1004/1204	117,30
02647	REINZOLOID MOTOR FLANGE GASKET	D250xD180,5x0,75, 4 HOLE	24,10
07604	MOTOR HOOD SIZE 12 FOR	DKFZ132/SI754/MI1004/1204	117,30
10963	MOTOR 9:0 KW 1500REV/MIN	BG132 400-460V TOOTHED SHAFT	3638,10
11910	FAN BLADES ABM BG 132	FOR 7,5 KW MOTOR	115,00
11911	MOTOR HOOD ABM 132	FOR 7,5 KW MOTOR	139,30
25615	FAN BLADES IEC 132 ALU	KEB/LENZE	115,00
28135	MOTOR HOOD IEC 132 ALU	KEB/LENZE	142,70

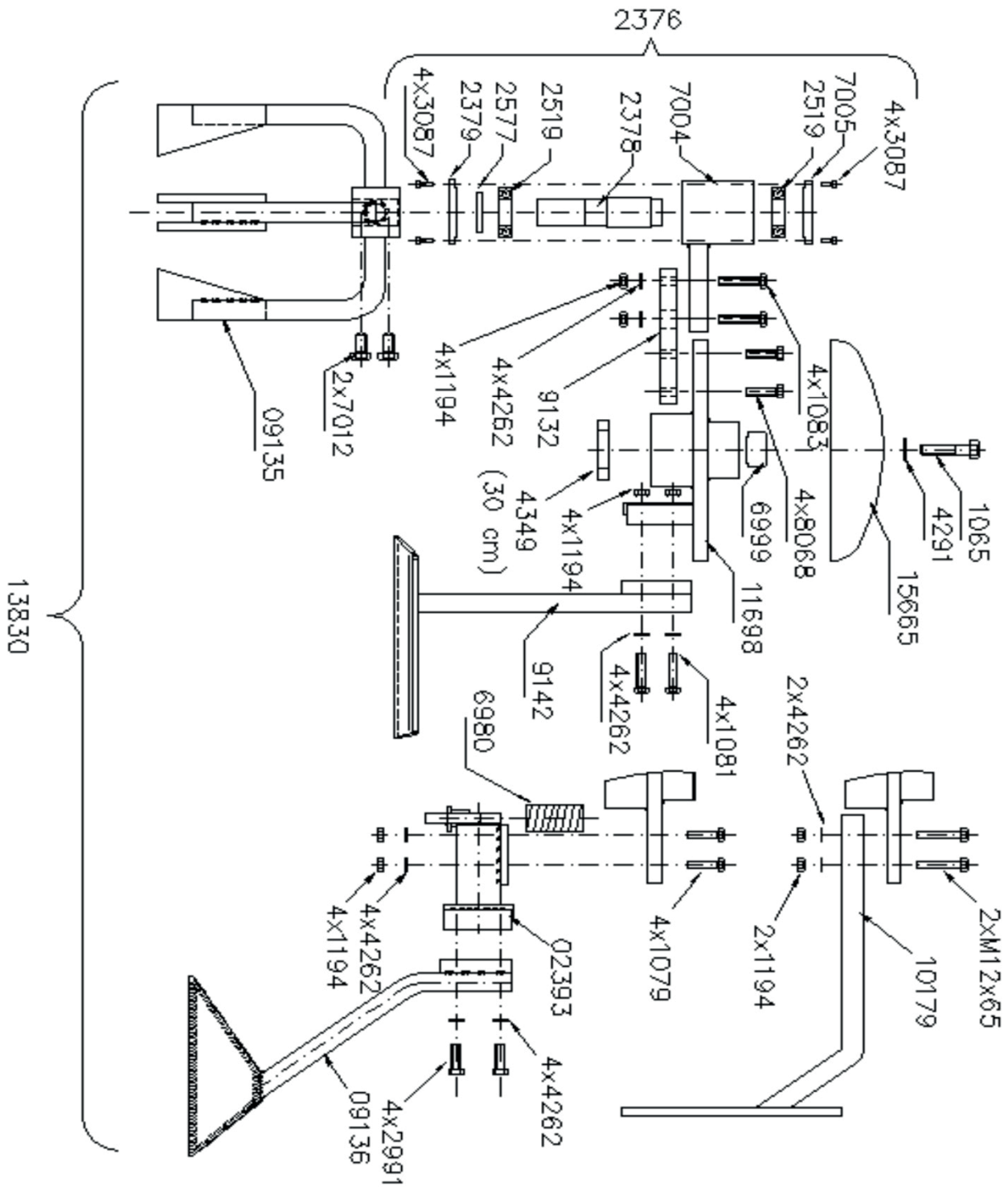


Mixing gear

Art.Nr:	Description 1	Description 2	Price
01065	HEXAGONAL BOLT M 16 X 70	DIN 931 GALVANISED	4,60
01079	HEXAGONAL BOLT M12 X 45	DIN 931 GALVANISED	4,60
01081	HEXAGONAL BOLT M12 X 55	DIN 931 GALVANISED	4,60
01082	HEXAGONAL BOLT M12X60	DIN 931 GALVANISED	4,60
01083	HEXAGONAL BOLT M12 X 70	DIN 931 GALVANISED	4,60
01194	NUT M 12	DIN 934 GALVANISED	4,60
15665	TOP PLATE COVER	DZ 300 V/VA	63,00
02376	STAR BEARING HOUSING	DZ180V/DZ300V	682,10
02378	BEARING COLLAR SHAFT	DZ180V	191,30
02379	OIL SEAL COVER FOR BEARING	COLLAR DZ180V	54,60
02393	SPRUNG FIXING COMPLETE	DZ180V	500,90
02519	BALL BEARING 6208 2 RS	DIN 625	41,70
02577	OIL SEAL 40/62/10	DIN 3760	22,20
02991	HEXAGONAL BOLT M12 X 40	DIN 933 GALVANISED	4,60
03087	ALLEN SCREW M6 X 16	DIN 912	4,60
04291	LOCK RING M 16	DIN 127 GALVANISED	4,60
04292	LOCK RING M 20	DIN 127 GALVANISED	4,60
04349	FELT STRIP 1000X8X6		32,50
06980	COMPRESSION RING	FOR SPRUNG FIXING	54,60
06999	TOP PLATE SPACER	DZ180V	28,90
07004	BEARING STAR HOUSING	DZ180VS-VA	219,10
07005	COVER BEARING STAR HOUSING	DZ180S/VA	35,00
07012	REVOLVING STAR SCREW	DZ180-DZ300VA M16x30 DRILLED	4,60
08068	HEXAGONAL BOLT M12 X 50	DIN 933 GALVANISED	6,50
09132	REVOLVING STAR FISING PLATE	DZ300V	320,80
09135	REVOLVING STAR COMPLETE	DZ300V	725,90
09136	OUTER SCRAPER COMPLETE	DZ300V	406,30
09142	INNER SCRAPER COMPLETE	DZ300V	577,50
10179	SIDE SCRAPER COMPLETE	DZ300V	370,20
11698	TOP PLATE WELDED	FOR MIDDLE TUBE V DZ180/300	783,70
13830	COMPLETE MIXING PARTS	DZ 300 V	3909,00

Gearbox

Art.Nr:	Description 1	Description 2	Price
10972	GEARBOX SG 44V	DZ300V/VA DZ400V/VA	3510,10



Assembly

Art.Nr:	Description 1	Description 2	Price
14895	MIXING DRUM COMPLETE	DZ500V	4304,70
16719	DISCHARGE DOOR	DZ500V	862,70
14921	DISK FOR DISCHARGE DOOR	DZ500V	36,70
14962	SPACER FOR DISCHARGE DOOR	DZ500V	36,70
03003	HEXAGONAL BOLT M16 X 40	DIN 933 GALVANISED	6,50
51006	DISCHARGE CHUTE	DZ500V	174,30
15518	TUBE E706/0612R018A90/2X	NL 800 90 DEGREES WRENCHED	84,50
15519	TUBE E706/0612R018A/0612	R018A90 NL800 90 DEGREES WRENC	84,50
15520	SCREW	GE 12LR ED A3C 100507	6,50
15651	HINGED GUARD	DZ500 V	1384,60
15009	OIL SEAL 90/120/13	DIN 3760/A	67,30
51010	SAFETY GUARD	Entleerungsrutsche DZ500V	232,20
15805	COMPLETE CABLE SAFETY TUBING	DZ500V	78,10
01186	RUBBER GRIP 30mm	BLACK Z-321/A	10,80
15228	KU-MOULDED RUBBER TUBE ENDS	100/100/5	13,60
07098	COVER FOR LIMIT SWITCH		45,90
04326	ADJUSTMENT SPANNER Nr. 6847/3		121,60

Electrics / Motor

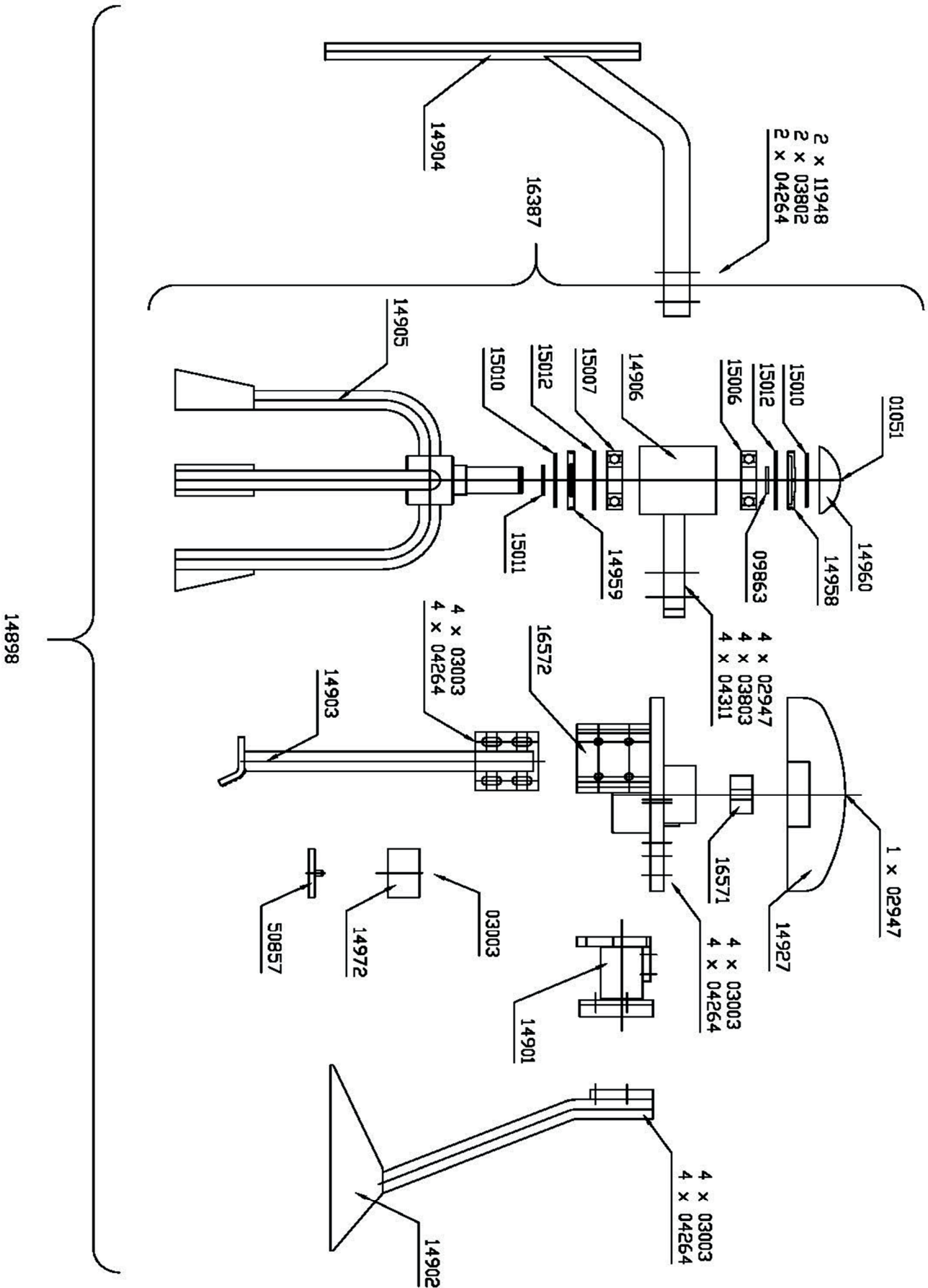
Art.Nr:	Description 1	Description 2	Price
16389	MOTOR 18,5 kW 1500 RPM	400V/690V V1 IP55	3861,30
15195	CONTROL BOX WITH CABLES	DZ500V 18:5KW	5614,60
13906	LIMIT SWITCH XCKP 102	84x30x30	172,80

Gearbox / Drive

Art.Nr:	Description 1	Description 2	Price
16390	GEARBOX	DZ500V	7486,10
16576	REDUCTION PART FOR MOTOR	DZ500V	539,50
16573	DRIVE SHAFT COMPLETE	DZ500V	1141,80

Mixing gear (14898)

Art.Nr:	Description 1	Description 2	Price
16387	REVOLVING STAR WITH HOUSING	DZ500/750V	3018,40
14905	REVOLVING STAR COMPLETE	DZ500V	1219,00
15011	O-Ring 60 x 4 DIN 3770		6,50
15010	O-Ring 110x4 DIN 3770		6,50
01051	HEXAGONAL BOLD M6 X 60	DIN 931 GALVANISED	6,50
09893	SECURING RING A 55	DIN 471	6,50
15012	SECURING RING J 120	DIN 472	6,50
15006	BALL BEARING 6311	DIN 625	201,80
15007	BALL BEARING 6311 Z	DIN 625	223,70
14927	TOP PLATE COVER	DZ500V	159,40
16572	TOP PLATE COMPL. INNER THREAT	DZ500V/750V	1414,70
14901	SPRUNG FIXING COMPLETE	DZ500V	812,70
14902	SPRUNG BOTTOM SCRAPER Cmpl.	DZ 500V	812,70
14903	BOTTOM SCRAPER COMPLETE	DZ 500/750V	943,50
14904	WALL SCRAPER COMPLETE	DZ500V	638,40
14972	SHOCK ABSORBER DM=100 H=60	TYPE C - 55 SHORE - M16 X 18	141,10
11948	HEXAGONAL BOLT M 16 X 100	DIN 933 GALVANISED	6,50
03802	NUT M 16	DIN 934 GALVANISED	6,50
04264	WASHER M 16	DIN 125 GALVANISED	6,50
14960	COVER STAR BEARING	DZ500V	45,90
14958	ENDSHIELD TOP	DZ500V	132,50
14959	ENDSHIELD BELOW	DZ500V	123,50
14906	STAR BEARING COMPLETE	DZ500V	1094,20
02947	HEXAGONAL BOLT M 20 X 90	DIN 931 GALVANISED	6,50
03803	WASHER M20	DIN 934 GALVANISED	6,50
04311	WASHER M20	DIN 125 GALVANISED	6,50
03003	HEXAGONAL BOLT M16 X 40	DIN 933 GALVANISED	6,50
04264	WASHER M 16	DIN 125 GALVANISED	6,50
03802	NUT M 16	DIN 934 GALVANISED	6,50
16571	SPACER	DZ500V	54,60



Assembly

Art.Nr:	Description 1	Description 2	Price
16766	DRUM	DZ750V	6456,70
51227	DISCHARGE DOOR	DZ750V	936,00
14921	DISK FOR DISCHARGE DOOR	DZ500V	36,70
14962	SPACER FOR DISCHARGE DOOR	DZ500V	36,70
03003	HEXAGONAL BOLT M16 X 40	DIN 933 GALVANISED	6,50
16775	DISCHARGE CHUTE	DZ750V	224,40
50838	HYDRAULIC HOSE 12L	E706/0612R018A902X NL 950 90°	121,60
50839	HYDRAULIC HOSE 12L	E706/0612R018A902X NL 950 270°	121,60
15518	TUBE E706/0612R018A90/2X	NL 800 90 DEGREES WRENCHED	84,50
15519	TUBE E706/0612R018A/0612	R018A90 NL800 90 DEGREES WRENC	84,50
15520	SCREW	GE 12LR ED A3C 100507	6,50
16789	SAFETY GUARD	DZ750V	1778,30
15009	OIL SEAL 90/120/13	DIN 3760/A	67,30
16776	DISCHARGE SAFETY GUARD	DZ750V	280,90
15805	COMPLETE CABLE SAFETY TUBING	DZ500V	78,10
01186	RUBBER GRIP 30mm	BLACK Z-321/A	10,80
15228	KU-MOULDED RUBBER TUBE ENDS	100/100/5	13,60
07098	COVER FOR LIMIT SWITCH		45,90
04326	ADJUSTMENT SPANNER Nr. 6847/3		121,60

Electrics / Motor

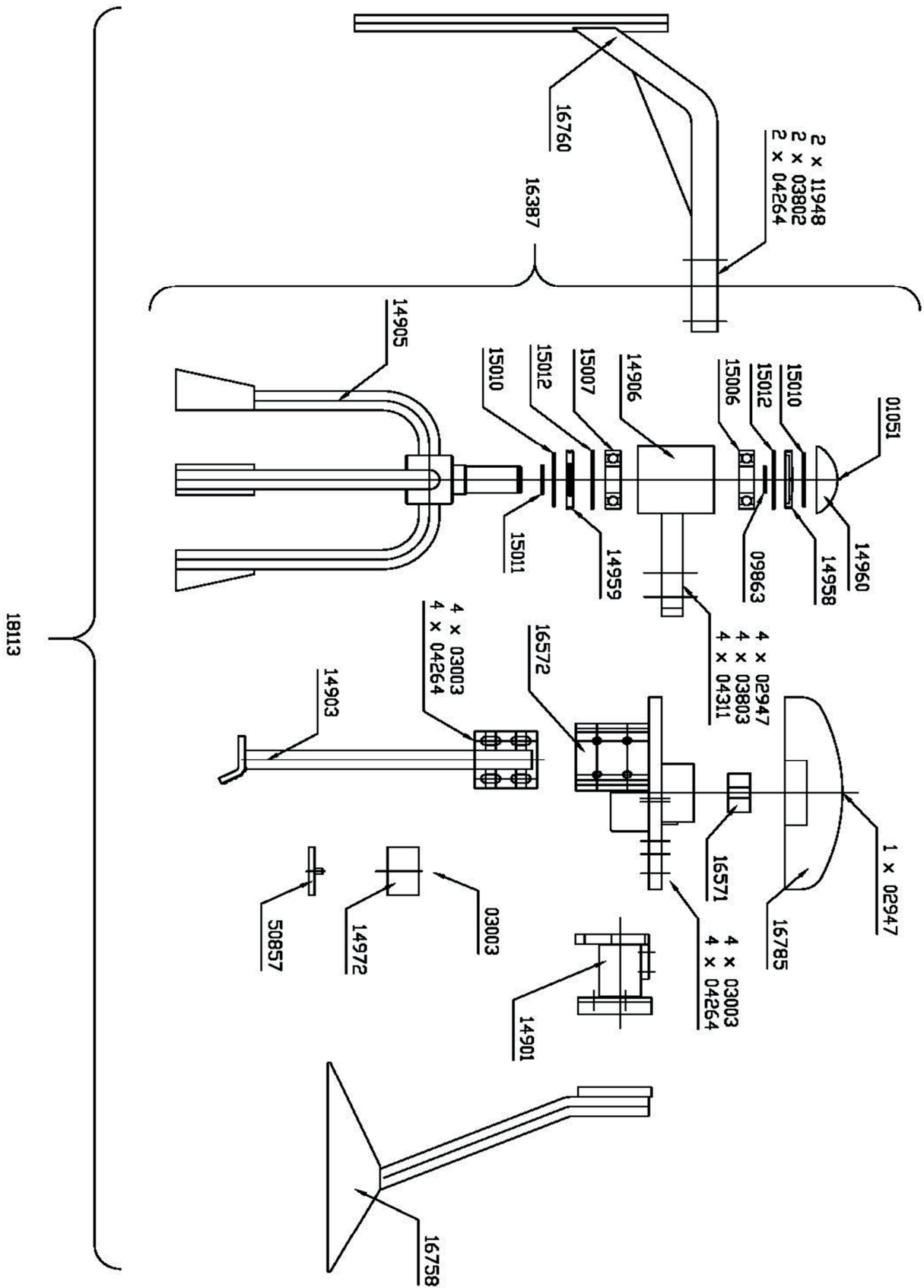
Art.Nr:	Description 1	Description 2	Price
16628	MOTOR 30KW/1470rpm. old	420/730V, 50Hz, B3 R IP55 B5	4866,10
50840	MOTOR 30 kW/ DERA 200-12	380/420V/660-730V, 50Hz 1470 U	4491,80
16770	CONTROLS Z 750 30KW 50/60HZ		6176,40
13906	LIMIT SWITCH XCKP 102	84x30x30	172,80

Gearbox / Drive

Art.Nr:	Description 1	Description 2	Price
16629	PLANETARY GEAR BOX I=40,95 old	EC3150/45/FE/SU3/00	11229,30
50841	PLANETARY GEAR BOX	ED 2150/FE/37,27/ME180)	7860,90
16573	DRIVE SHAFT COMPLETE	DZ500V	1141,80
50733	RUBBER PART FOR CLUTCH	Type: R-132-92 / 92 Shore	168,60
50826	CLUTCH GEAR BOX SIDE	DZ750V	408,00

Mixing gear (18113)

Art.Nr:	Description 1	Description 2	Price
16387	REVOLVING STAR WITH HOUSING	DZ500/750V	3018,40
14905	REVOLVING STAR COMPLETE	DZ500V	1219,00
15011	O-Ring 60 x 4 DIN 3770		6,50
15010	O-Ring 110x4 DIN 3770		6,50
01051	HEXAGONAL BOLD M6 X 60	DIN 931 GALVANISED	6,50
09893	SECURING RING A 55	DIN 471	6,50
15012	SECURING RING J 120	DIN 472	6,50
15006	BALL BEARING 6311	DIN 625	201,80
15007	BALL BEARING 6311 Z	DIN 625	223,70
16785	DOME FOR MIXING HEAD	DZ750V	215,40
16572	TOP PLATE COMPL. INNER THREAT	DZ500V/750V	1414,70
14901	SPRUNG FIXING COMPLETE	DZ500V	812,70
16758	BOTTOM SCRAPER SPRING	BALANCED DZ750V	1196,10
14903	BOTTOM SCRAPER COMPLETE	DZ 500/750V	943,50
16760	OUTER BOTTOM SCRAPER	DZ750V	729,90
14972	SHOCK ABSORBER DM=100 H=60	TYPE C - 55 SHORE - M16 X 18	141,10
11948	HEXAGONAL BOLT M 16 X 100	DIN 933 GALVANISED	6,50
03802	NUT M 16	DIN 934 GALVANISED	6,50
04264	WASHER M 16	DIN 125 GALVANISED	6,50
14960	COVER STAR BEARING	DZ500V	45,90
14958	ENDSHIELD TOP	DZ500V	132,50
14959	ENDSHIELD BELOW	DZ500V	123,50
14906	STAR BEARING COMPLETE	DZ500V	1094,20
02947	HEXAGONAL BOLT M 20 X 90	DIN 931 GALVANISED	6,50
03803	WASHER M20	DIN 934 GALVANISED	6,50
04311	WASHER M20	DIN 125 GALVANISED	6,50
03003	HEXAGONAL BOLT M16 X 40	DIN 933 GALVANISED	6,50
04264	WASHER M 16	DIN 125 GALVANISED	6,50
03802	NUT M 16	DIN 934 GALVANISED	6,50
16571	SPACER	DZ500V	54,60



Mechanical parts

Art.Nr:	Description 1	Description 2	Price
01604	STEEL CABLE DA 6:0	42X0,65 BL	9,20
01605	STEEL CABLE DIA. 7,0	42 x 0,75	9,20
02481	MOTOR FLANGE GASKET	D 160 x D 111 x 0,75 HC=130	17,40
02798	SQUARE KEY 12/8 X 70	DIN 6885 A	10,80
06604	WEDGE FOR DRAG LINE YOKE 8MM	WINCH STB	6,50
08239	SQUARE KEY 6/5X12 DIN 6885A	DOUBLE SIDED R3, STEEL CK45K	9,20
08377	CABLE CLIP 1/4"	GALVANISED	13,60
08614	CABLE TIMBLE FOR 6MM CABLE	GALVANISED	13,60
08631	DRIVE SHAFT SPACER	SG 27	13,60
10199	CABLE DRUM DM 159MM		342,80
10200	CABLE DRUM DM 230MM		342,80
10556	CABLE CLIP 5/16" M6	GALVANISED	13,60
10941	COMPLETE DRUM SECURE	WINCH STB	97,50
11138	CABLE THIMBLE FOR 7 MM CABLE	GALVANISED	9,20

Gearbox

Art.Nr:	Description 1	Description 2	Price
13000	GEARBOX SG 40A	FOR WINCHES 170, 230, 350, 500	1148,80
13090	GEARBOX SG 52	FOR WINCHES 140 + 280	895,00

Electrics / Motor

Art.Nr:	Description 1	Description 2	Price
03576	CAPACITOR 60 MF THREAD M8	CABLE LENGTH 250 MM 008550M	167,00
09759	SWITCH	400V CA20BA8P932-600E G221	128,00
12220	SWITCH CA20BA8W672	600E-F 025 - G221 230V	184,00
12387	SWITCHING HOUSING FOR WINCH	WITH EARTHED SOCKET NO. 222-S	84,90
13373	SWITCH HOUSING NO. 335S	WITH 5POLE CEE-SOCKET	93,30
51334	KLKJ RELAISBOX 230V+KSVUW		511,90
51333	KLKJ SWITCHPART 230V+KSVUW		181,50
51336	KLKD RELAISBOX 400V+KSVUW		533,00
51335	KLKD SWITCHPART 400V+KSVUW		181,50
03630	SWITCHING BOX NO. 22S	COMPL. WITH EARTHED SOCKET	305,90
13375	SWITCHING BOX NO. 335S COMPL.	WITH 5 POLE CEE-SOCKET	305,90
10100	BRAKE MOTOR 1,1 KW 1500REV/M.	SIZE 90 400V	1367,30
10270	BRAKE MOTOR 0,9 KW	1500 REV/MIN BG 90 20V	1616,30
08217	MOTOR PINION SG27	T=27, M=1	51,00
09747	MOTOR PINION 21MM	NORMAL SHAFT T=20M=1,5 SG 39/2	91,40
18380	COVER FOR ATTACHMENT SWITCH	203.240 230V -WINCH STB GREY	199,50
14500	REMODEL UNIT FOR DB 6	FOR LENZE BRAKE COMPL.	922,30
10217	COMPLETE ROTOR	14.448.10-Pos.2.00 Lenze	270,90
28136	MOTOR HOOD IEC 090 ALU B	KEB/LENZE	88,20

Specify colour and size of the switch housing.

Assembly

Art.Nr:	Description 1	Description 2	Price
01604	STEEL CABLE DA 6:0	42X0,65 BL	9,20
02122	SAFETY PIN WITH CHAIN	COMPLETE	58,90
02176	CABLE DRUM FOR SCRAPER		171,30
02177	HOUSING FOR CABLE DRUM		195,50
02178	WEIGHT FOR CONTROL CABLE		97,50
02180	CABLE HOOK		36,70
02188	RAMP WITH DRIVE SUPPORT		1311,00
02189	DRIVE SUPPORT FOR SCRAPER		143,20
02190	AXLE FOR B-SCRAPER		74,10
02191	TOWBAR FOR B-SCRAPER		97,50
02195	GUIDE PULLEY HOUSING	FOR CABLE PULLEY	320,80
02196	STAND FOR B-SCRAPER		67,30
02200	COMPL. GALLOWS FOR B-SCRAPER		335,90
02202	PULLEY FOR CONTROL CABLE	FOR B-SCRAPER / DZ180SA,VA	56,50
02203	SCRAPER BLADE	FOR B-SCRAPER	292,30
02798	SQUARE KEY 12/8 X 70	DIN 6885 A	10,80
03883	COTTER PIN 5X50	DIN 94 GALVANISED	3,20
04847	COMPRESSION SPRING	AFTER RUN BREAK	13,60
04848	WOODEN BRAKE TAPPET	AFTER RUN BREAK	26,20
06604	WEDGE FOR DRAG LINE YOKE 8MM	WINCH STB	6,50
07761	BOLTS FOR CABLE PULLEY		30,60
08088	BRAKE TAKE UP SLEEVE	SCRAPER AFTER-RUNNING BRAKE	76,00
08089	WELDED AFTER BRAKING	FOR SCRAPER	106,30
08614	CABLE TIMBLE FOR 6MM CABLE	GALVANISED	13,60
10108	CABLE CLIP WITH STOP	B-SCRAPER	97,50
10556	CABLE CLIP 5/16" M6	GALVANISED	13,60
12125	SOLID RUBBER WHEEL DA0360X70	5G-S WHITE RIM	154,00
13657	CABLE PULLEY FOR GUIDE PULLEY		94,40

Motor

Art.Nr:	Description 1	Description 2	Price
02435	VAN BLADES SIZE 5 FOR	DRF204,ERF104,DRF154,DRF156	67,30
02481	MOTOR FLANGE GASKET	D 160 x D 111 x 0,75 HC=130	17,40
02756	MOTOR PINION Z=24, M=1	SG 22,24,26,35,51	50,10
04145	MOTOR 90L 910REV/MIN 6SW	1,1 KW 400V 50HZ	1395,80
06951	TERMINAL BOARD THIEN	SIZE AS GIVEN	39,40
07925	SIZE 5 ENGINE HOOD FOR	DRF204,ERF104,DRF154,DRF156	74,10

Electrics

Art.Nr:	Description 1	Description 2	Price
02199	PRESS KEY HOUSING		115,00
02859	PUSH-BUTTON CONTROL	WITHOUT CONTROL BOX	440,20
03470	RELAY RM302524 24V	REPLACED BY ART. 03471	101,90
03509	FUSE 5 X 20 - 1,00		9,60
14129	PRESS KEY TO EXCHANGE	REPLACEMENT TO RAFI PRESS KEY	67,30
03614	SOCKET FOR REMOTE CONTROL		52,70
03615	REMOTE CONTROL PLUG		101,90
03625	PRESSED PLASTIC BOX	KN 122 WITHOUT PLATE	258,10
03731	CABLE (GML) 2 X 1,0 H05RR-4	DIN 40711	13,60
07926	TOP SEAL PUSH-BUTTON RAFI	1.01 301 552 008 114	22,20
09934	SOKET RM 78701	FOR RELAY 302524	45,90
09943	FUSE HOLDER	SWITCHBOX B-SCRAPER	14,20
09971	ATTACHABLE CASING	HA.3.AG-LB 41.50.03.00 HTS	13,60
09972	PLUG CASING	HA.3.STO.11 41.30.03.01 HTS	17,90
09973	PIN INSERT HA.3.STI.S 41.10.03	.00	32,50
09974	SOKET INSERT	HA.3.BU.S 41.20.03.00	35,00
10041	RETAINING SPRING FOR RELAIS	RM28802 B-SCRAPER	10,80
10289	CEE PLUG 5P6H 16A	WITH PHASE REVERSAL	101,90
11391	TRANSFORMER 400V / 24V	SEIA MINI 30 B 033	208,20
11460	FUSE 5 X 20 - 0,1		9,60
11485	CONTROL BOX COMPL.	B-SCRAPER	1042,10

Gearbox

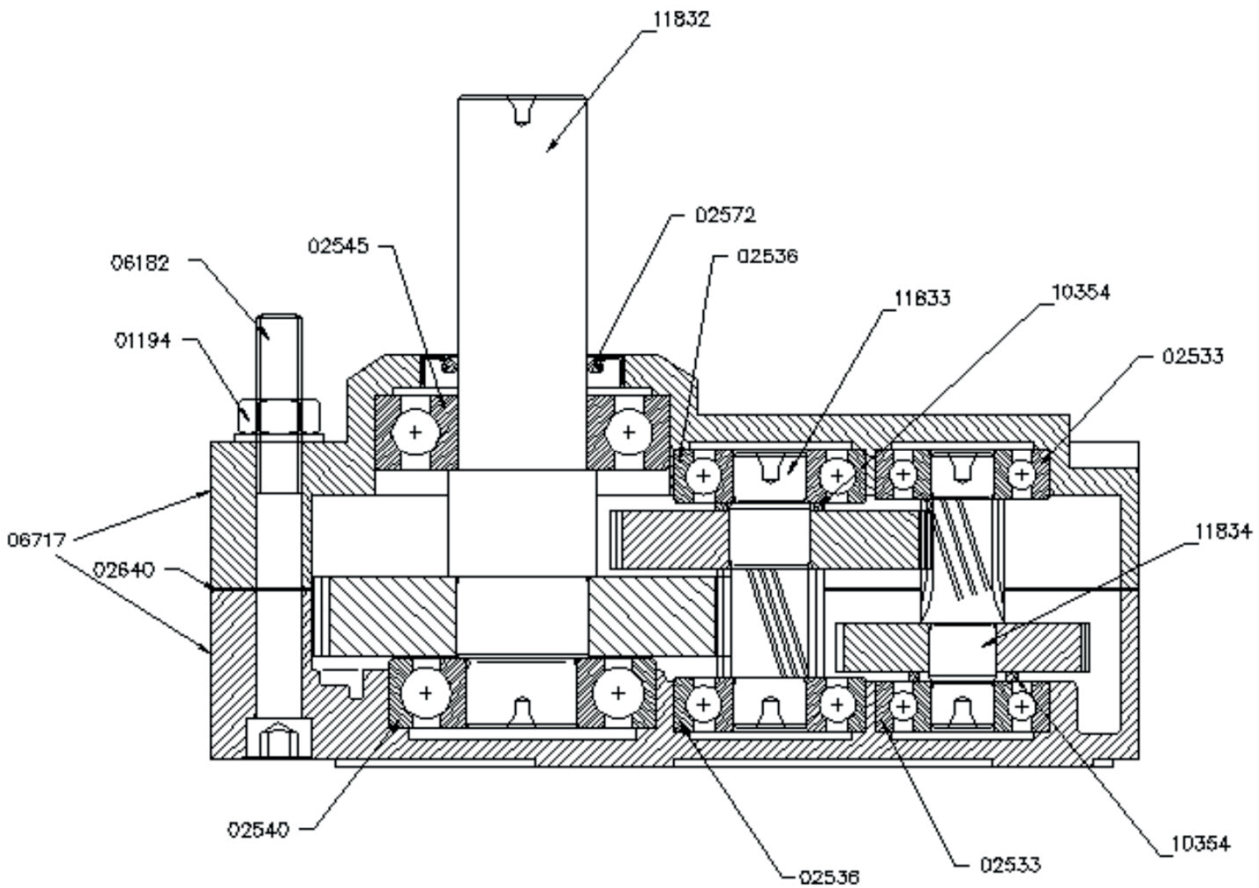
Art.Nr:	Description 1	Description 2	Price
02819	GEARBOX SG 160-2	Kuli 200,SCRAPER SINCE 1990	1181,10

Art.Nr:	Description 1	Description 2	Price
11825	GEARBOX SG27S COMPL.		754,80
19676	GEARBOX SG 40 -VS60	DZ 60 VS	1116,10
13001	GEARBOX SG 40C	DZ100C	1116,10
09734	GEARBOX SG 61-2V	DZ120V	1886,60
10971	GEARBOX SG-55V	DZ180V	3510,10
10974	GEARBOX SG44V FOR DZ180V	DZ180VA	3408,20
10972	GEARBOX SG 44V	DZ300V/VA DZ400V/VA	3510,10
13000	GEARBOX SG 40A	FOR WINCHES 170, 230, 350, 500	1148,80
13090	GEARBOX SG 52	FOR WINCHES 140 + 280	895,00
02819	GEARBOX SG 160-2	Kuli 200,SCRAPER SINCE 1990	1181,10

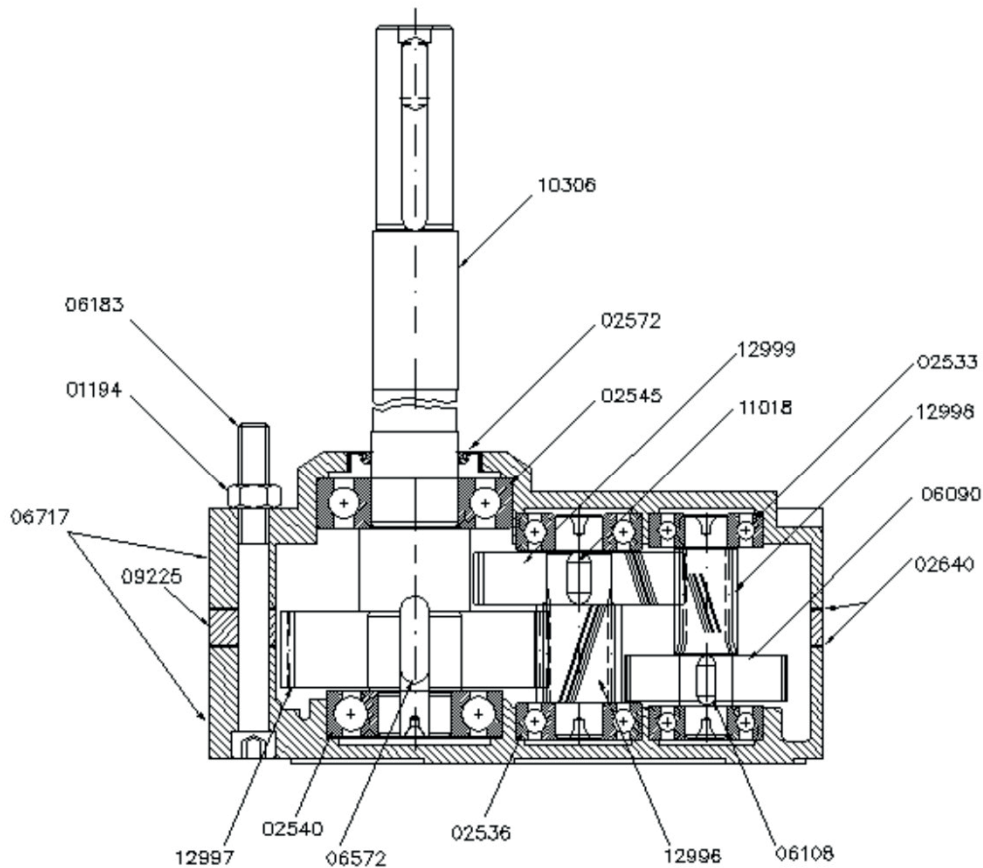
List of replaced gearboxes

SG27S replaced SG22 and SG26 (with pinion Nr.: 13382)
 SG40V replaced SG39-2V (Pinion as SG39-2V)
 SG40C replaced SG39-2C (Pinion as SG39-2C)
 SG40A replaced SG39-2A (Pinion as G39-2A)
 SG52 replaced SG58 (with pinion Nr.: 09747)

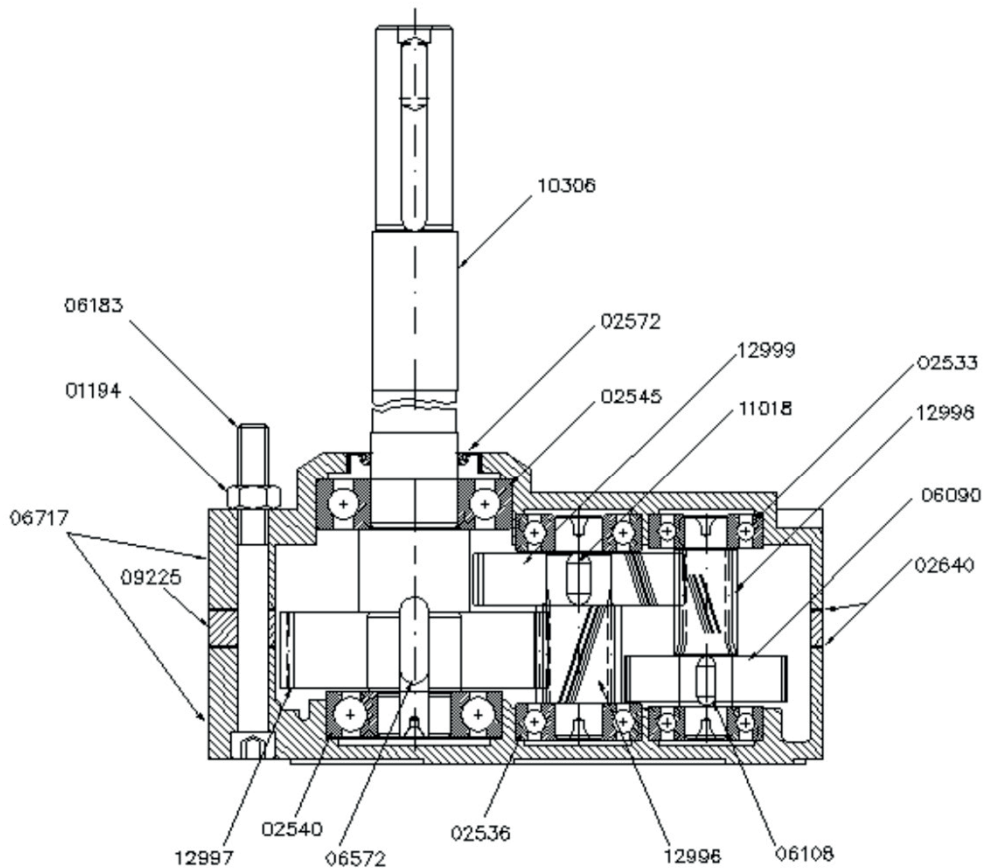
Art.Nr:	Description 1	Description 2	Price
01194	NUT M 12	DIN 934 GALVANISED	4,60
02533	BALL BEARING 6303	DIN 625	24,10
02536	BALL BEARING 6304	DIN 625	28,40
02540	BALL BEARING 6306	DIN 625	47,90
02545	BALL BEARING 6307	DIN 625	47,90
02572	OIL SEAL 35/55/08	DIN 3760	24,10
02640	STANDARD GEARBOX GASKET	230x131x0,75 - 4 HOLES \varnothing 12,5	17,40
06182	ALLEN SCREW M12 X 100	DIN 912 GALVANISED	6,50
10354	SUPPORT WASHER 22X30X2	DIN 988	13,60
11832	SHAFT WITH SPUR GEAR OUTPUT	SG27S	255,80
11833	MIDDLE COUNTERSHAFT	WITH SPUR GEAR SG27S	223,70
11834	COUNTERSHAFT WITH SPUR GEAR	MOTOR SIDE SG 27S	162,80
06012	SPECIAL GEARBOX GREASE	H LT 00 EP NATRAN	19,70
06717	CASING COMPLETE SG27	DRIVE SIDE + MOTOR SIDE	305,90
11825	GEARBOX SG27S COMPL.		754,80



Art.Nr:	Description 1	Description 2	Price
06717	CASING COMPLETE SG27	DRIVE SIDE + MOTOR SIDE	305,90
09225	MIDDLE PIECE FOR POS 19	HOUSING 37-101+102 SG39-2 SG40	76,00
02640	STANDARD GEARBOX GASKET	230x131x0,75 - 4 HOLES ø12,5	17,40
06183	ALLEN SCREW M12 X 120	DIN 912 GALVANISED	4,60
01194	NUT M 12	DIN 934 GALVANISED	4,60
02545	BALL BEARING 6307	DIN 625	47,90
02540	BALL BEARING 6306	DIN 625	47,90
06224	COMPENSATION LOCK WASHER	70 X 0,5 - 6306-6207	15,40
19675	DRIVE SHAFT SG40-VS60	DZ 60VS	173,70
06572	SQUARE KEY 12/8 X 36	DIN 6885 A	4,60
12997	SPUR GEAR T=39 M=2,5	WIDTH SG 40	175,50
06221	COMPENSATION LOCK WASHER	60 X 0,5 - 6304-6205	13,60
06218	COMPENSATION LOCK WASHER	45 X 0,5 - 6204, 6203	13,60
02536	BALL BEARING 6304	DIN 625	28,40
02533	BALL BEARING 6303	DIN 625	24,10
12996	LONG COUNTERSHAFT	T=10 M=2,5 SG 40	115,00
11018	SQUARE KEY 10/8 X 22	DIN 6885 A	9,20
12999	SPUR GEAR T=39 M=2	WIDTH SG 40	134,80
12998	LONG COUNTERSHAFT	T=9 M=2 SG 40	115,00
06108	SQUARE KEY 8/7 X 20	DIN 6885 A	4,60
06090	SPUR GEAR T=41 M=1,5 POS 168/2	WIDE SG 39/2; SG 40	134,80
02572	OIL SEAL 35/55/08	DIN 3760	24,10
19676	GEARBOX SG 40 -VS60	DZ 60 VS	1116,10



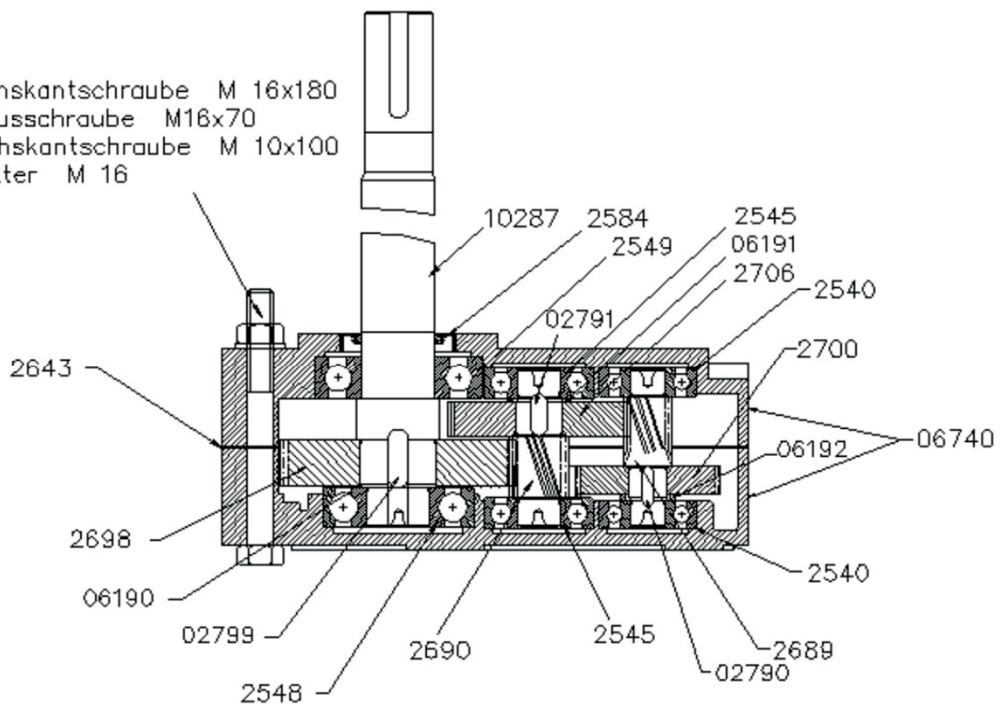
Art.Nr:	Description 1	Description 2	Price
01194	NUT M 12	DIN 934 GALVANISED	4,60
02533	BALL BEARING 6303	DIN 625	24,10
02536	BALL BEARING 6304	DIN 625	28,40
02540	BALL BEARING 6306	DIN 625	47,90
02545	BALL BEARING 6307	DIN 625	47,90
02640	STANDARD GEARBOX GASKET	230x131x0,75 - 4 HOLES \varnothing 12,5	17,40
06090	SPUR GEAR T=41 M=1,5 POS 168/2	WIDE SG 39/2; SG 40	134,80
06108	SQUARE KEY 8/7 X 20	DIN 6885 A	4,60
06183	ALLEN SCREW M12 X 120	DIN 912 GALVANISED	4,60
06572	SQUARE KEY 12/8 X 36	DIN 6885 A	4,60
09225	MIDDLE PIECE FOR POS 19	HOUSING 37-101+102 SG39-2 SG40	76,00
10306	DRIVE SHAFT SG39/2C SG40C	DZ100C	173,70
11018	SQUARE KEY 10/8 X 22	DIN 6885 A	9,20
12996	LONG COUNTERSHAFT	T=10 M=2,5 SG 40	115,00
12997	SPUR GEAR T=39 M=2,5	WIDTH SG 40	175,50
12998	LONG COUNTERSHAFT	T=9 M=2 SG 40	115,00
12999	SPUR GEAR T=39 M=2	WIDTH SG 40	134,80
06012	SPECIAL GEARBOX GREASE	H LT 00 EP NATRAN	19,70
02572	OIL SEAL 35/55/08	DIN 3760	24,10
06717	CASING COMPLETE SG27	DRIVE SIDE + MOTOR SIDE	305,90
13001	GEARBOX SG 40C	DZ100C	1116,10



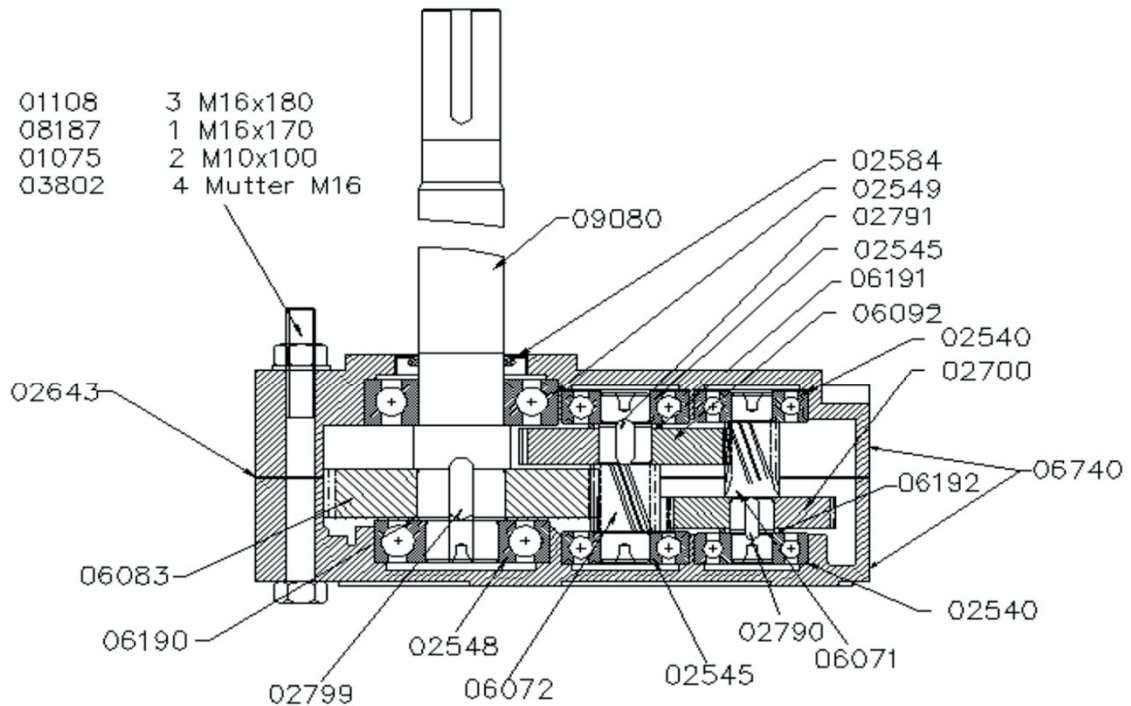
Art.Nr:	Description 1	Description 2	Price
01097	HEXAGONAL BOLD M14X160	DIN 931 GALVANISED	9,20
02506	BALL BEARING 6205	DIN 625	24,10
02510	BALL BEARING 6206	DIN 625	28,40
02517	BALL BEARING 6208	DIN 625	41,70
02520	BALL BEARING 6209	DIN 625	43,60
02580	OIL SEAL 45/65/08	DIN 3760	24,10
02642	GEARBOX GASKET SG 61/2	237x184x0,75	13,60
02684	COUNTERSHAFT POS 140	T=12 M=2,5 SG 61/2	143,20
02693	COUNTERSHAFT	T=14 M=3 SG 61/2	147,40
02701	SPUR GEAR T=37 M=3 POS 165	SG61/2	223,70
02789	SQUARE KEY 12/8 X 25	DIN 6885 B	4,60
02794	SQUARE KEY 12/8 X 36	DIN 6885 B	5,40
03810	NUT M 14 LOW SHAPE	DIN 439 GALVANISED	4,60
06085	SPUR GEAR T=35 M=2 POS 163/3	BROAD SG 61/2	169,60
06087	SPUR GEAR T=39 M=2,5 POS 167	MIDDLE SG 61/2	139,30
06221	COMPENSATION LOCK WASHER	60 X 0,5 - 6304-6205	13,60
06223	COMPENSATION LOCH WASHER	60x0,5 - 6305 - 6206	13,60
08664	DRIVE SHAFT DZ120V		255,80
11018	SQUARE KEY 10/8 X 22	DIN 6885 A	9,20
06012	SPECIAL GEARBOX GREASE	H LT 00 EP NATRAN	19,70
06741	Gearbox housing SG61/2	REPLACED BY 02829 and 02835	837,00
09734	GEARBOX SG 61-2V	DZ120V	1886,60

Art.Nr:	Description 1	Description 2	Price
01075	HEXAGONAL BOLT M10 X 100	DIN 931 GALVANISED	4,60
01108	HEXAGONAL BOLT M16 X 180	DIN 931 GALVANISED	13,60
02540	BALL BEARING 6306	DIN 625	47,90
02545	BALL BEARING 6307	DIN 625	47,90
02548	BALL BEARING 6309	DIN 625	80,60
02549	BALL BEARING 6310	DIN 625	80,60
02584	SHAFT RING 50/85/10	DIN 3760	32,50
02643	GEARBOX GASKET SG 44+55	322x201x0,75	17,40
02689	COUNTER SHAFT POS 143	Z=13 M=3 SG 55	270,90
02690	COUNTER SHAFT POS 144	Z=13 M=4 SG 55	279,70
02698	SPUR GEAR T=34 M=4 POS 161	SG 55	431,30
02700	SPUR GEAR Z=37 M=2,5 POS 164	SG 44 SG55	327,50
02706	GEARWHEEL Z=43 M=3 POS 170	SG 55	331,90
02790	SQUARE KEY 12/8 X 25	DIN 6885 A	4,60
02791	SQUARE KEY 12/8 X 28	DIN 6885 A	4,60
02799	SQUARE KEY 14/9 X 40	DIN 6885A	4,60
03802	NUT M 16	DIN 934 GALVANISED	6,50
06190	SPACING WASHER POS 57	60X51X2	13,60
06191	SPACING WASHER POS 58	45X40X4	13,60
06192	SPACING WASHER POS 59	51X45X4	13,60
08187	ALLEN KEY M16 X 170	DIN 912 GALVANIZED	13,60
10287	DRIVE SHAFT DZ180V	SG55 SG44 LONG MODEL	704,40
06012	SPECIAL GEARBOX GREASE	H LT 00 EP NATRAN	19,70
06740	CASING COMPLETE SG55	DRIVE AND MOTOR SIDE	972,80
10971	GEARBOX SG-55V	DZ180V	3510,10

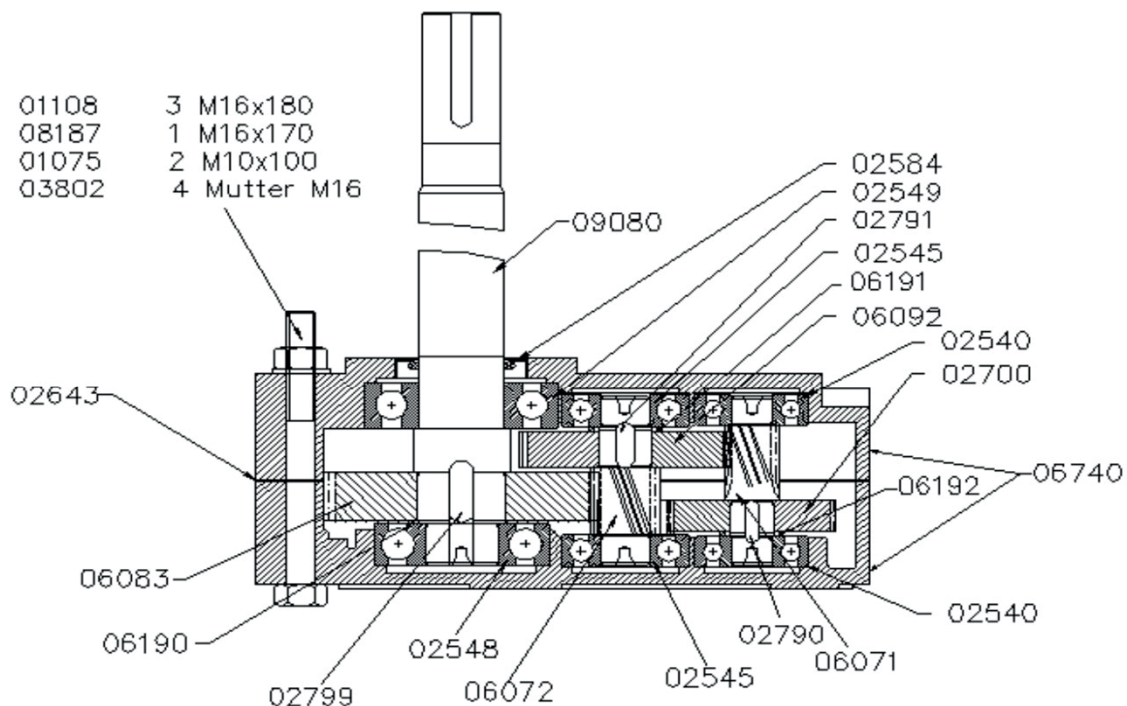
- 01108 3 x Sechskantschraube M 16x180
- 08187 1 x Imbusschraube M16x70
- 01075 2 x Sechskantschraube M 10x100
- 03802 4 x Mutter M 16



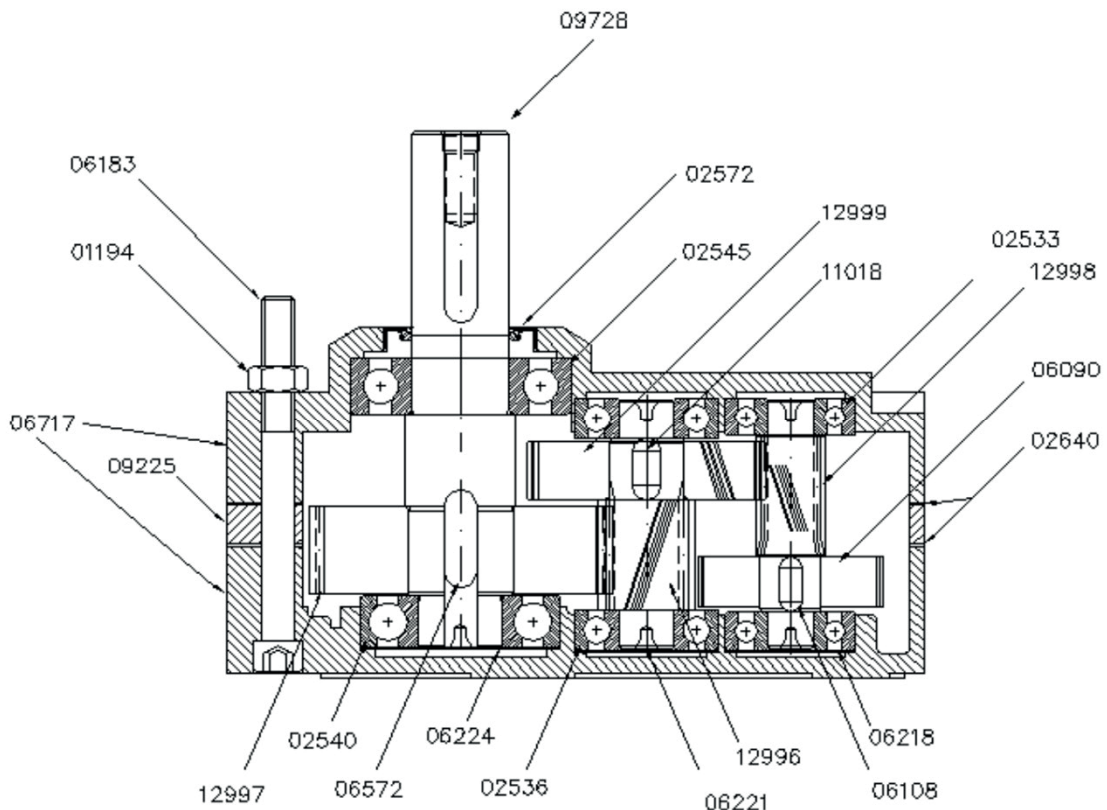
Art.Nr:	Description 1	Description 2	Price
02643	GEARBOX GASKET SG 44+55	322x201x0,75	17,40
08187	ALLEN KEY M16 X 170	DIN 912 GALVANIZED	13,60
01108	HEXAGONAL BOLT M16 X 180	DIN 931 GALVANISED	13,60
03802	NUT M 16	DIN 934 GALVANISED	6,50
01075	HEXAGONAL BOLT M10 X 100	DIN 931 GALVANISED	4,60
10287	DRIVE SHAFT DZ180V	SG55 SG44 LONG MODEL	704,40
02799	SQUARE KEY 14/9 X 40	DIN 6885A	4,60
06083	SPUR GEAR T=35 M=4 POS 162	SG44	407,70
06190	SPACING WASHER POS 57	60X51X2	13,60
02549	BALL BEARING 6310	DIN 625	80,60
02548	BALL BEARING 6309	DIN 625	80,60
06072	COUNTER SHAFT POS 139	T=12 M=4 SG 44	264,50
02791	SQUARE KEY 12/8 X 28	DIN 6885 A	4,60
06092	SPUR GEAR T=44 M=3 POS 171	SG44	312,50
06192	SPACING WASHER POS 59	51X45X4	13,60
02545	BALL BEARING 6307	DIN 625	47,90
06071	COUNTER SHAFT POS 138	T=12 M=3 SG44	255,80
02790	SQUARE KEY 12/8 X 25	DIN 6885 A	4,60
02700	SPUR GEAR Z=37 M=2,5 POS 164	SG 44 SG55	327,50
06191	SPACING WASHER POS 58	45X40X4	13,60
02540	BALL BEARING 6306	DIN 625	47,90
06012	SPECIAL GEARBOX GREASE	H LT 00 EP NATRAN	19,70
02584	SHAFT RING 50/85/10	DIN 3760	32,50
06740	CASING COMPLETE SG55	DRIVE AND MOTOR SIDE	972,80
10974	GEARBOX SG44V FOR DZ180V	DZ180VA	3408,20



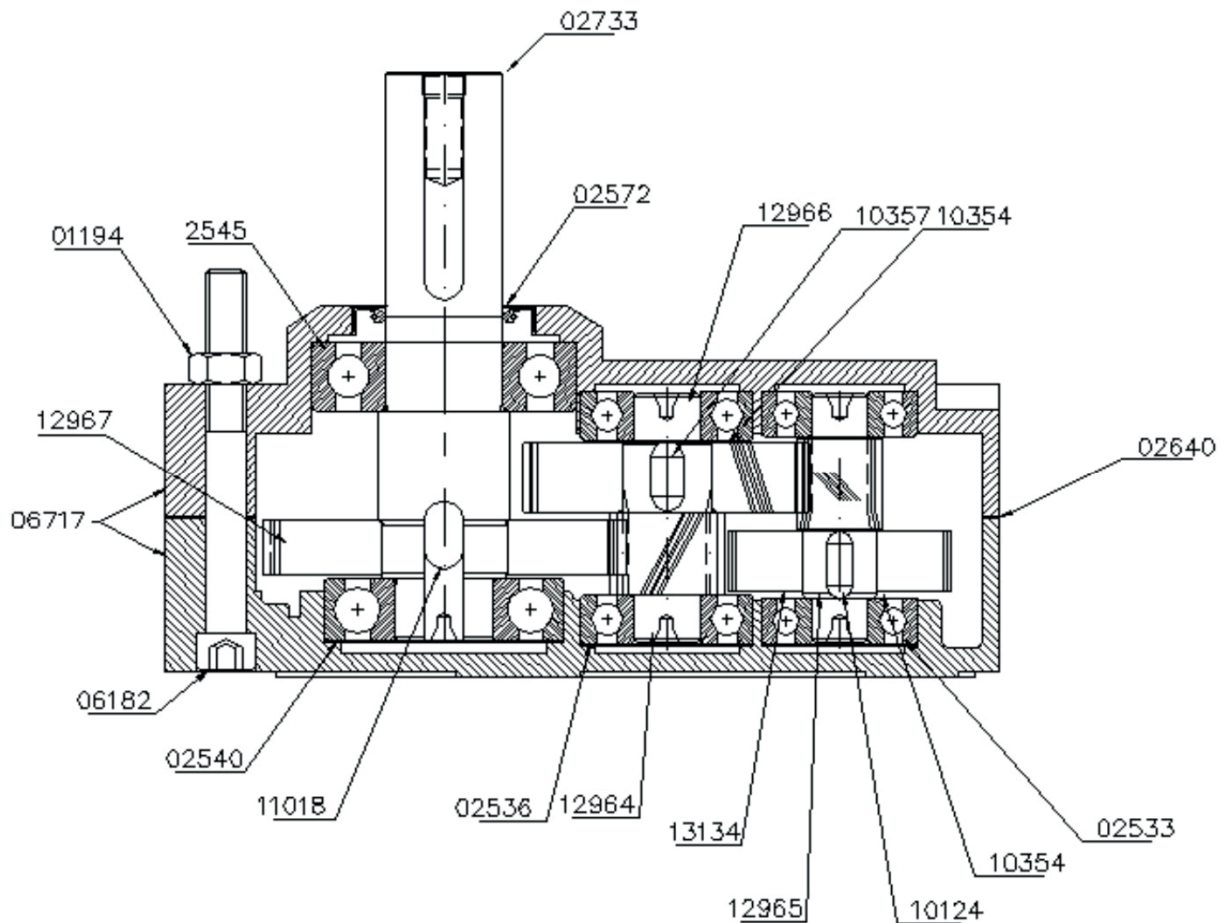
Art.Nr:	Description 1	Description 2	Price
02643	GEARBOX GASKET SG 44+55	322x201x0,75	17,40
08187	ALLEN KEY M16 X 170	DIN 912 GALVANIZED	13,60
01108	HEXAGONAL BOLT M16 X 180	DIN 931 GALVANISED	13,60
03802	NUT M 16	DIN 934 GALVANISED	6,50
01075	HEXAGONAL BOLT M10 X 100	DIN 931 GALVANISED	4,60
09080	DRIVE SHAFT FOR SG44	DZ300V	725,90
02799	SQUARE KEY 14/9 X 40	DIN 6885A	4,60
06083	SPUR GEAR T=35 M=4 POS 162	SG44	407,70
06190	SPACING WASHER POS 57	60X51X2	13,60
02549	BALL BEARING 6310	DIN 625	80,60
02548	BALL BEARING 6309	DIN 625	80,60
06072	COUNTER SHAFT POS 139	T=12 M=4 SG 44	264,50
02791	SQUARE KEY 12/8 X 28	DIN 6885 A	4,60
06092	SPUR GEAR T=44 M=3 POS 171	SG44	312,50
06192	SPACING WASHER POS 59	51X45X4	13,60
02545	BALL BEARING 6307	DIN 625	47,90
06071	COUNTER SHAFT POS 138	T=12 M=3 SG44	255,80
02790	SQUARE KEY 12/8 X 25	DIN 6885 A	4,60
02700	SPUR GEAR Z=37 M=2,5 POS 164	SG 44 SG55	327,50
06191	SPACING WASHER POS 58	45X40X4	13,60
02540	BALL BEARING 6306	DIN 625	47,90
06012	SPECIAL GEARBOX GREASE	H LT 00 EP NATRAN	19,70
02584	SHAFT RING 50/85/10	DIN 3760	32,50
06740	CASING COMPLETE SG55	DRIVE AND MOTOR SIDE	972,80
10972	GEARBOX SG 44V	DZ300V/VA DZ400V/VA	3510,10



Art.Nr:	Description 1	Description 2	Price
01194	NUT M 12	DIN 934 GALVANISED	4,60
02533	BALL BEARING 6303	DIN 625	24,10
02536	BALL BEARING 6304	DIN 625	28,40
02540	BALL BEARING 6306	DIN 625	47,90
02545	BALL BEARING 6307	DIN 625	47,90
02640	STANDARD GEARBOX GASKET	230x131x0,75 - 4 HOLES \varnothing 12,5	17,40
06090	SPUR GEAR T=41 M=1,5 POS 168/2	WIDE SG 39/2; SG 40	134,80
06108	SQUARE KEY 8/7 X 20	DIN 6885 A	4,60
06183	ALLEN SCREW M12 X 120	DIN 912 GALVANISED	4,60
06218	COMPENSATION LOCK WASHER	45 X 0,5 - 6204, 6203	13,60
06221	COMPENSATION LOCK WASHER	60 X 0,5 - 6304-6205	13,60
06224	COMPENSATION LOCK WASHER	70 X 0,5 - 6306-6207	15,40
06572	SQUARE KEY 12/8 X 36	DIN 6885 A	4,60
09225	MIDDLE PIECE FOR POS 19	HOUSING 37-101+102 SG39-2 SG40	76,00
09728	DRIVE SHAFT SG 39-2A - SG 40A	HOIST	134,80
11018	SQUARE KEY 10/8 X 22	DIN 6885 A	9,20
12996	LONG COUNTERSHAFT	T=10 M=2,5 SG 40	115,00
12997	SPUR GEAR T=39 M=2,5	WIDTH SG 40	175,50
12998	LONG COUNTERSHAFT	T=9 M=2 SG 40	115,00
12999	SPUR GEAR T=39 M=2	WIDTH SG 40	134,80
06012	SPECIAL GEARBOX GREASE	H LT 00 EP NATRAN	19,70
02572	OIL SEAL 35/55/08	DIN 3760	24,10
06717	CASING COMPLETE SG27	DRIVE SIDE + MOTOR SIDE	305,90
13000	GEARBOX SG 40A	FOR WINCHES 170, 230, 350, 500	1148,80



Art.Nr:	Description 1	Description 2	Price
01194	NUT M 12	DIN 934 GALVANISED	4,60
02533	BALL BEARING 6303	DIN 625	24,10
02536	BALL BEARING 6304	DIN 625	28,40
02540	BALL BEARING 6306	DIN 625	47,90
02545	BALL BEARING 6307	DIN 625	47,90
02640	STANDARD GEARBOX GASKET	230x131x0,75 - 4 HOLES \varnothing 12,5	17,40
02733	DRIVE SHAFT 35D POS 203	SG 35-51-52	82,60
06182	ALLEN SCREW M12 X 100	DIN 912 GALVANISED	6,50
10124	SQUARE KEY 6/6 X 12	DIN 6885 A	6,50
10357	SQUARE KEY 6/6 X 14	DIN 6885 A	13,60
11018	SQUARE KEY 10/8 X 22	DIN 6885 A	9,20
12964	COUNTERSHAFT T=13 M=1,75	SG 37-45-52	89,10
12965	COUNTERSHAFT T=16 M=1,5	SG 38-45-52	78,10
12966	SPUR GEAR T=48 M=1,5	SG38-45-52	95,70
12967	SPUR GEAR T=60 M=1,75	SG38-45-52	136,60
13134	SPUR GEAR T=41 M=1,5	SG52	132,50
06012	SPECIAL GEARBOX GREASE	H LT 00 EP NATRAN	19,70
02572	OIL SEAL 35/55/08	DIN 3760	24,10
10354	SUPPORT WASHER 22X30X2	DIN 988	13,60
06717	CASING COMPLETE SG27	DRIVE SIDE + MOTOR SIDE	305,90
13090	GEARBOX SG 52	FOR WINCHES 140 + 280	895,00



Art.Nr:	Description 1	Description 2	Price
01072	HEXAGONAL SCREW M10 X 50	DIN 931 GALVANISED	4,60
02531	BALL BEARING 6302	DIN 625	24,10
02540	BALL BEARING 6306	DIN 625	47,90
02546	BALL BEARING 6307 Z	DIN 625	50,10
02572	OIL SEAL 35/55/08	DIN 3760	24,10
02644	GEARBOX GASKET SG118-2 160-2	170 x 185 x 0.75	13,60
02648	FLANGE GASKET SG 160/2	D 80 x D 60 x 0,75	13,60
02692	COUNTER SHAFT POS 146	T=14 M=2 SG 160/2	147,40
02708	SPUR GEAR T=44 M=2 POS 173	SG160/2	173,70
02737	DRIVE SHAFT 35 D POS 206	SG 160-2	195,50
02854	OIL SEAL COVER	SG160-2	60,80
03080	ALLEN KEY M5 x 16	DIN 912 GALVANISED	4,60
03103	ALLEN KEY M8 X 35	DIN 912	4,60
04007	SAFETY RING A 27	DIN 471	13,60
06096	SPUR GEAR T=67 M=1 POS 186/2	WIDE SG 160/2; 118/2	93,30
06215	COMPENSATION LOCK WASHER	40 X 0,5 - 6302	13,60
02819	GEARBOX SG 160-2	Kuli 200,SCRAPER SINCE 1990	1181,10

Art.Nr:	Description 1	Description 2	Price
02417	MOTOR L 07 D80 - D100 Licht	230V/50HZ 0,5KW 1400REV/MINa L 01	762,90
02430	MOTOR K 075 400V D120 - D150 Kraft	0.55KW 400V-REPLACED BY 16658 K 075	
02474	MOTOR 0,37KW 400V D80 - D100 Kraft	replaced by Art. 16658 K 05	574,30
02480	MOTOR KLG 104 0.75KW D120 - D150 Kombi	230/400V - REPLACED BY 15896 KLG 104	
02884	MOTOR LG104 WITH CAPACITOR D120 - D150 Licht	230V 0,75 KW 1415 REV/MIN LG 104	1055,50
02903	MOTOR DRF 154 DZ60 Kraft, Kuli, Schrapper	400V 1,1KW 1410 REV/MIN DRF 154	884,30
04131	MOTOR KR 05 DK Kraft	 KR 05	583,20
04145	MOTOR 90L 910REV/MIN 6SW B-Schrapper	1,1 KW 400V 50HZ DRF 156	1395,80
04151	MOTOR DRVF 204 230/400V 50 HZ Aufzug 500kg Kraft, DZ180SA	1,5KW 1420 REV/MIN früher DRVF 204 E	1259,00
04191	MOTOR LR 05 DK Licht	 LR 05	606,60
04202	MOTOR ERVF 104 E/4 Aufzug Imbo Licht	1500 U/MIN. 0,75 KW ERS.D 10270 ERVF 104 E	
08069	MOTOR DF 80 A-4 D100c - D120c Kraft	0,55 KW 1340 REV/MIN DF 80-A	520,20
08070	MOTOR EKF 80 BX-4 M.CB 16 MYF D100c Licht	0,55 KW 1350 REV/MIN EKF 80 BX-4	684,80
08071	MOTOR EKF 80 EX-4 M.CB 20 MYF D120c Kraft	0,75 KW 1370 REV/MIN EKF 80 EX-4	802,10
08875	MOTOR DEKF 80 E-4 1,1KW D120c Kombi	1370 REV/MIN 50 HZ REPL. 12211 DEKF 80 E-4	
09918	MOTOR 5,5 KW 1500 REV/MIN DZ180S, -SV, -V	REPLACED BY 09919+11799 DF 1/132SA-4	2808,40
09919	MOTOR 7,5 kW/1500REV/MIN DZ180S, -SV, -V, -SA,-VA	BG 132 400V, TOOTHED SHAFT DF 132MB-4	3477,50
10100	BRAKE MOTOR 1,1 KW 1500REV/M. Winde STB Kraft, Beschicker DZ180SA, -VA	SIZE 90 400V DKF 90SB154B	1367,30
10270	BRAKE MOTOR 0,9 KW Winde STB Licht DZ120V	1500 REV/MIN BG 90 20V EKF 90LB124E/4B DF 100LC-4	1616,30
10963	MOTOR 9:0 KW 1500REV/MIN DZ300V	BG132 400-460V TOOTHED SHAFT DF 132MC-4	3638,10
10987	MOTOR DRVF 154 E Aufzug bis 300kg Kraft, Imbo S	WITHOUT BRAKE DRVF 154 E	1022,60
13387	MOTOR EKF90 LC 184 230V 1.3KW DZ60 Licht	FOR SG 35 USE MOTOR 13810 EKF 90 LC184	1553,70

DIEMwerke

Seestr. 16
6912 Hörbranz
AUSTRIA

T: +43 (0) 5573 84 666
F: +43 (0) 5573 84 666 99
E: office@diemwerke.com

www.diemwerke.com

